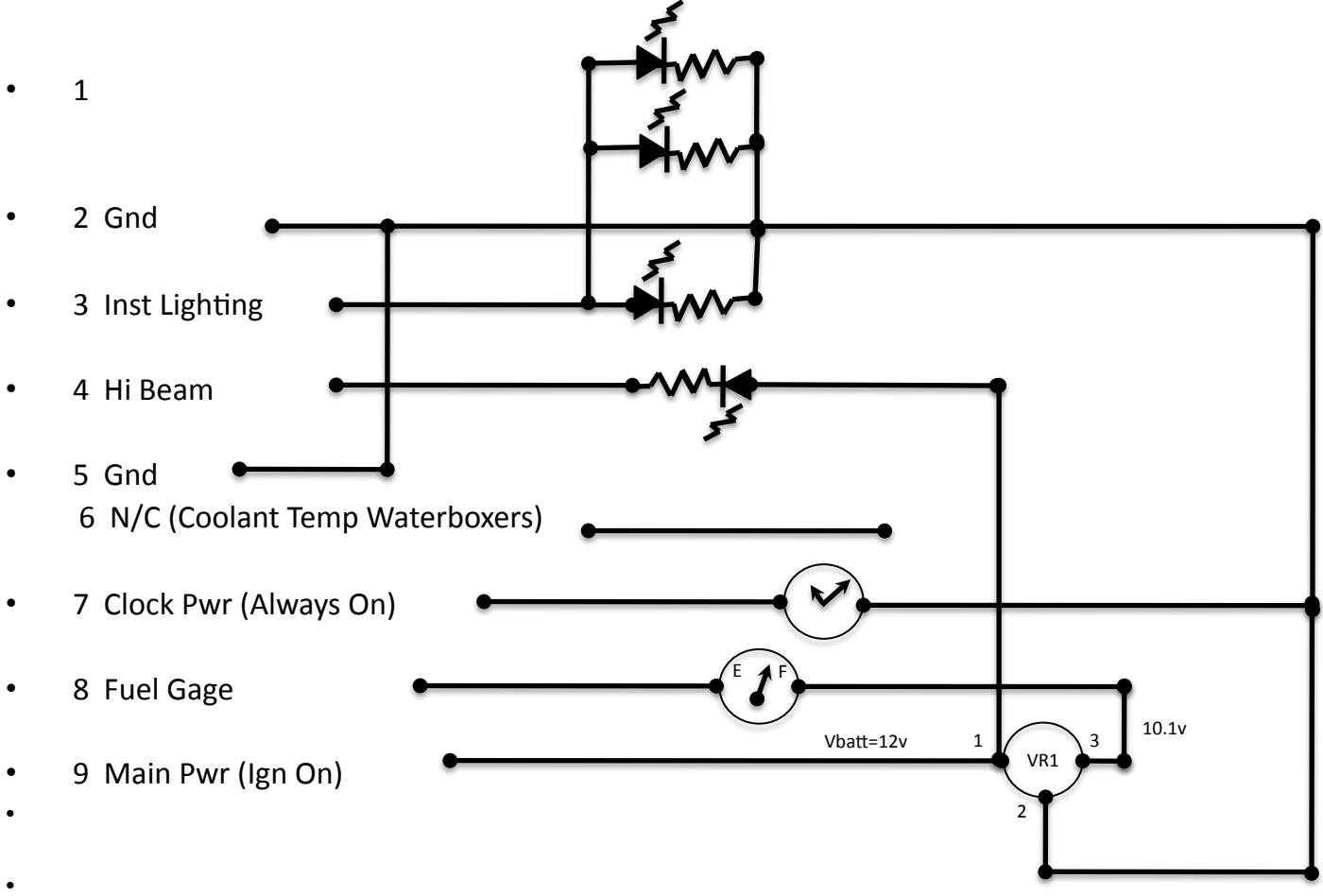


T14 Connector Pinout/Inst. Schematic



- 10 Oil Pressure Ind.
-
- 12 N/C (Diesel=Glow Plug)
-
- 13 Alt Ind.
-
- 14 Turn Signal Indicator

