

Volkswagen Campmobile



It goes on vacation with you!

Text and illustrations in the manual are based on latest product information available at the time of publication. It has always been the manufacturer's policy to continuously make improvements; therefore, the right is reserved to make changes at any time during the model year without notice.

CONTENTS

Bed, double	6, 17	Equipment		Jump seat (stool)	8
Bench, rear	6	— Campmobile with Pop-up Roof	4, 16-17	Louvered windows	10
Campstove	19	— Deluxe Campmobile with Pop-up Roof	4, 18-21	Luggage rack	17
Ceiling-cabinet	7	— Additional Equipment	4, 21-24	Pop-up roof	16
-lamp	8			Refrigerator cabinet	18
Cleaning	25	Fire extinguisher	20	Screen, rear lid	14
Clothes closet	7	Floor plan	26	Sink cabinet	10-11
Curtains	9	Folding counter	13	Spare tire, collapsible	15
		Grocery shelf	13	Stool (jump seat)	8
Dimensions diagrams	27	Hammock, child's	14	Storage box/trash container	20
Dinette table	5	Hints (what to take along)	25	Table, dinette	5
Double bed	6, 17	Icebox cabinet	12-13	Tent	21-24
Electrical network	9	Identification plate	6	Trash container/storage box	20
Equipment		Introduction	2	Water-tank and pump	11
— Basic Equipment	3, 5-15			Windows, louvered	10

WELCOME to the growing family of VW Campmobile owners!

You now own a Volkswagen for day-to-day driving and a comfortable home away from home for camping outdoors. Safe dependable transportation, custom equipped for recreation and fun

The VW Campmobile looks like a VW Station Wagon. And it IS a VW Station Wagon at heart. Your Type 2 Owner's Manual explains everything you should know about the Volkswagen Station Wagon. Be sure to read the Owner's Manual to learn how to operate your Volkswagen safely.

In the following pages, you'll see what makes your VW Station Wagon a Campmobile. We'll tell you all about the equipment in your Campmobile and how to use it.

Take a few minutes to read this manual and make yourself at home -- literally.

CAMPMOBILE EQUIPMENT

You had many options to choose from. Whatever you decided on, you have the basic Campmobile equipment and possibly one or more option packages.

Following is a list of all available Campmobile equipment. Later, we'll explain how to use each item.

Many of the special-purpose items in your Campmobile are designed for use at the campsite and should not be used while the vehicle is in motion.

Basic Equipment

- Ceiling and walls insulated and panelled. Floors covered with loop pile carpeting.
- Curtains for all windows, including the windshield.
- Rear luggage compartment lid screen.
- Louvered windows in the left side wall and sliding door.
- Transistorized 12 V fluorescent lamp above dinette table.
- 1.8 cu ft icebox cabinet with polyester insulation, ice rack and separate drain, utensil drawer, and storage compartment.
- Grocery shelf and folding counter on outboard side of icebox.
- Cabinet with stainless steel sink, 12 V water pump, 7 $\frac{1}{2}$ gallon water tank, and storage compartments.

- Full-width rear bench seat converting to double bed, with armrest and storage locker below.
- Rear deck mattress covering engine compartment.
- Jump seat located between icebox and sink cabinet.
- Folding dinette table with mar-proof and heat-resistant top and slide-out extension.
- Linen closet.
- Rear ceiling cabinet, surfaced with mar-resistant materials.
- Two assist straps.
- Child's hammock.
- 110-125 V electrical network (receptacle on outside of vehicle, double outlets on inside wall, master switch and circuit breaker).
- Color-coordinated cloth covers for mattresses and upholstery.
- Safety belts for five seating positions (2 combination lap/shoulder belts for the front and three lap belts for the rear bench seat).
- Head rests for the driver and front passenger.
- Collapsible emergency spare tire, 12 V air compressor and electrical cord (stored in lower compartment of the sink cabinet).

Optional Equipment

In addition to the Basic Campmobile equipment, the following are the optional equipment combinations:

1. Campmobile with Pop-Up Roof

This option includes all the Basic equipment except for the Ceiling Cabinet. It also includes the following:

- Pop-Up Roof with weather-resistant canvas sides and fiberglass-reinforced polyester top. Side and rear walls have screened windows with zippered flaps.
- 6' x 3'10" double bed in Pop-Up Roof, suitable for two adults.
- Rear luggage rack of fiberglass-reinforced polyester with buffer rods and tie-down hooks. The rack can be easily reached from inside the Pop-Up Roof.

2. Deluxe Campmobile with Pop-Up Roof

This is the most comprehensive option and includes all of the above items except for the Ceiling Cabinet. It also includes the following:

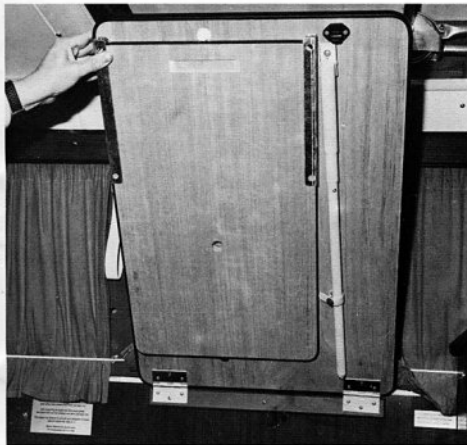
- 1.6 cu ft refrigerator (capable of running on 12V or 110V) with control panel, utensil drawer, and storage compartment. (The refrigerator is installed in place of the icebox cabinet.)
- Gas campstove in compartment above refrigerator (with refillable gas tank and hookup).

- Upholstered storage box/trash container between front seats.
- Dry chemical fire extinguisher (installed next to the folding counter/grocery shelf on the outboard side of refrigerator).

Additional Equipment

The following items of optional equipment can be used with any of the other equipment packages:

- 6'6" x 9'8" free-standing, side-mounted tent with vinyl floor, external frame, guy lines and stakes, storage bag, zippered door and side ventilation flaps, and Campmobile connecting boot.

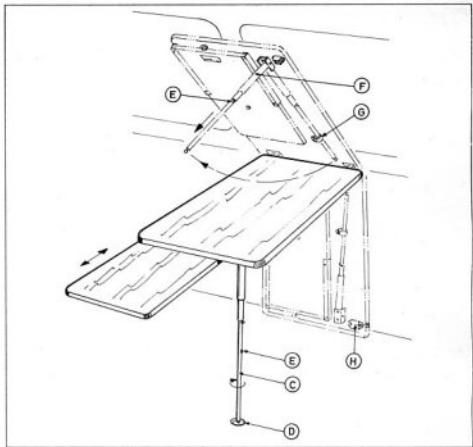


Dinette Table

The folding dinette table with extension is attached to the wall directly in front of the rear bench seat, as you look in from the sliding door. If you wish to use the extension, press the white button under the table top in and gently pull the extension out until it locks into position. There are two locking positions. The extension can also be completely removed from the table for cleaning.

The table should be flush against the wall and held securely in place by its spring catch when you are driving.

To set the table up, detach the table top from its catch (H) on the wall. Fold the top up. Unsnap the plastic strap (G) that holds the table leg in place. Slide the table leg down to fit the upper end into the support



(F) beneath the table top, while swinging the leg (C) into a vertical position. Screw the leg into the threaded plate on the floor (D). The leg should be fully screwed in to assure secure mounting of the table. **To fold the table away,** unscrew the leg and bring it flush with the bottom of the table top. Slide the leg up to the stop (E) to fit it under the table top. Fasten the leg with the plastic strap to hold it in its stowed position, as shown in the illustration. Lower the table top and press it firmly against the wall to make sure it engages the spring catch.

Remove all carpeting, toys or other objects that might be caught between the table top and wall thus prevent the table from folding flush.



Rear Bench Seat

The rear bench seat unfolds to become a full-size double bed at night. To put up the bed, fold down the dinette table first. Push the seat belts between the seat bench and backrest. Release the fastener in the center beneath the seat. Lift the seat cushion at the front until it touches a stop. This will disengage the backrest. Now pull the seat cushion forward while pushing the backrest down onto the support between the seat and rear mattress.

To set up the bench seat again, stand in front of the bench. Slightly lift both seat cushion and backrest, and push them toward the rear. Relocate the seat belts by pulling them between the seat bench and backrest. Press down on the seat. Secure it in place by closing the fastener in the center beneath the seat cushion.



Do not use the double bed to transport passengers. Do not allow children to kneel or sit on the rear deck while you are driving. Be sure the backrest is locked in the upright position and all passenger use the safety belts.

The large storage compartment under the bench is accessible from the top by lifting the seat cushion. To raise the seat cushion, first release the fastener in the center beneath the seat. When you lower the seat cushion, be sure to engage the fastener to lock the cushion in place.

The identification plate in the lower corner of the front panel contains the vehicle type and Campmobile equipment serial number. Please give this number when ordering spare parts for the Campmobile equipment.



Ceiling Cabinet

Your Campmobile has many convenient storage areas. One of the largest areas is in the Ceiling Cabinet. (If you have the optional Pup-Up Roof, your Campmobile is not equipped with the Ceiling Cabinet.)

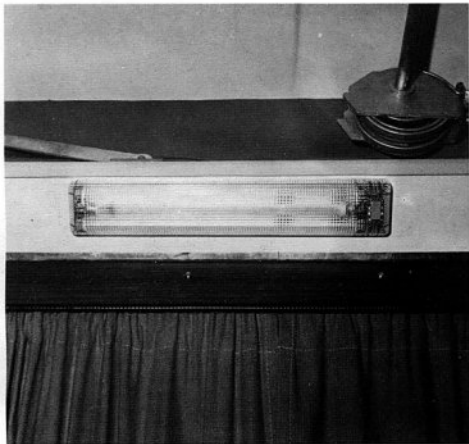
The Ceiling Cabinet is located in the rear of the vehicle, above the rear mattress. It is accessible through the hinged door in the cabinet face. To open the door, press the push-button in the door handle. Only light items, such as clothes or linens, should be stored in the ceiling cabinet. **Maximum load should be no more than 20 lbs.**

Do not store heavy objects in the Ceiling Cabinet which could dislodge and thus become dangerous projectiles during a sudden stop. Keep the door securely shut while driving.



Clothes Closet

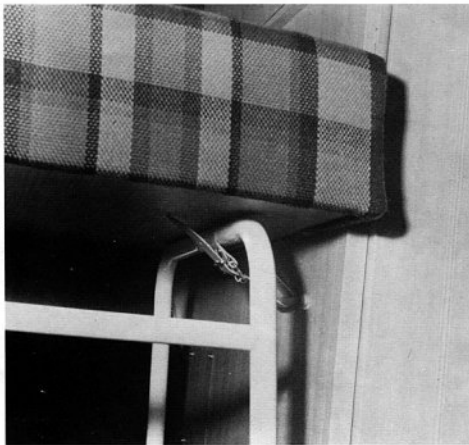
A roomy clothes closet is located in the rear wall on the left side. It is easily accessible through the rear lid of the vehicle. To open the linen closet, first press the push-button release in the door handle.



Ceiling Lamp

Your Campmobile comes equipped with a transistorized fluorescent light for added illumination at night for reading or cooking.

To use the ceiling lamp, first pull out the interior light knob on the dashboard, to the right of the steering column. Then use the switch on the lamp to turn the light on and off.

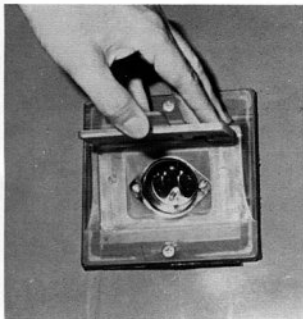


Jump Seat

The jump seat between the sink cabinet and the icebox provides a convenient moveable seat inside the Campmobile. It can also be used outside at the campsite.

Do not use the jump seat when the car is in motion. The seat is not equipped with a safety belt or backrest.

Before you drive off, secure the jump seat in place with the retaining strap. Pull the plastic retaining strap through the bracket on the aisle side of the icebox cabinet and secure it snugly.



Electrical Network (110-125 Volts A.C.)

To make use of the regular house current available at many campsites, your Campmobile is equipped with an electrical network which has a built-in circuit breaker and master switch.

On the outside of the vehicle, below the louvered window, there is a three-prong receptacle. On the inside of the vehicle, next to the dinette table, you will find two three-prong outlets.

A 15-Ampere A.C. cord is standard equipment with your Campmobile. It enables you to plug into campsite electrical outlets through the electrical receptacle.

Interior Curtains

The interior curtains cover all the windows in the Campmobile, even the windshield. With them, you can have as much privacy as you want! They can be snapped in place by the use of the snap fasteners provided on the window sills and wall panels.

Safe driving requires that you have an unobstructed view of the road at times while driving. Remember to reposition the curtains so that you have adequate vision all around.

Dry cleaning is the best method for cleaning the interior curtains. They can also be hand-washed with mild soap in lukewarm water.

Note:—

Curtain (in sliding door) to the right of cooker must be drawn back whilst cooker is in use.



Louvered Windows

The Campmobile is equipped with the louvered windows, one on the sliding door and the other in the left side wall, above the dinette table. To open the louvers, turn the large black knob counterclockwise.

Each louvered window has a removable screen. To remove the screen slightly raise it and pull the bottom out of the window frame. To install the screen, reverse the procedure.



We recommend that you keep the louvered windows closed when the vehicle is in motion. These windows were designed to be used at the campsite only. Prolonged driving with the louvers open could weaken the pane hinges.

Sink Cabinet

The **sink cabinet** is located immediately behind the driver's seat. It combines the sink, electric water pump, water tank, and two storage areas.

The **sink** is made of stainless steel and comes complete with a drainage and venting system. The vent pipe extends through the side of the vehicle. A raised plastic cap on the outside provides weather protection for the vent opening while allowing the sink drain to be

ventilated. The drain from the sink extends to the bottom of the vehicle. Water from the sink drains onto the ground, so be mindful of where you drain your sink water.

The 7½ gallon water tank is located in the upper rear section of the sink cabinet. The tank filler cap is positioned next to the sink. The switch for the 12 V water pump is next to the faucet. Turn the knob once to the right to start the pump. Turn it once again to the right to shut the pump.

We recommend that you drain the tank after every trip. The tap is located under the vehicle. Screw the tap back on after draining the tank, but leave the filler cap open to allow the tank to air out. Should standing water develop an odor, flush out the tank with a solution of baking soda and water. Be sure to follow the directions on the box. Rinse the tank well with clear water and allow it to dry.

Beneath the water tank, you will find a storage area with removable wooden shelf. This area is suitable for storing the collapsible emergency spare tire. For better access, the door to this compartment can be lifted off its hinges. First press the push-button in the door handle, open the door slightly, then lift the door straight up.

Important!

Water pump must not be operated with an empty water tank.

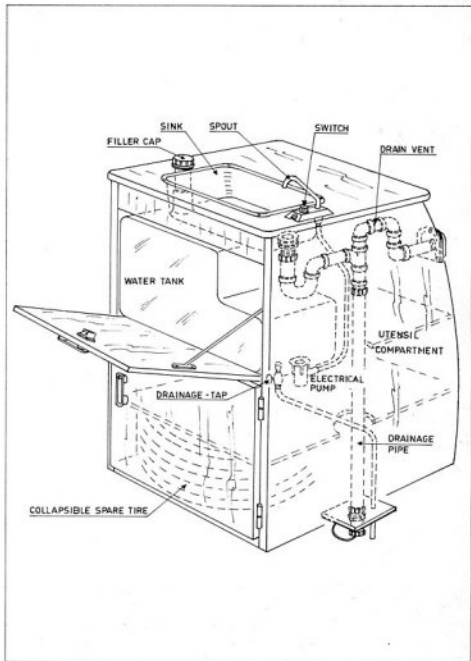
Instructions for filling of collapsible spare wheel.

1. Put collapsible spare wheel flat on ground.
2. Join pressure pump connection to valve.
3. Electrical connection is made by inserting plug into socket on dashboard.
4. When tyre pressure is at 2,3 bar (atü) the compressor automatically releases air by means of a valve. The compressor can then be switched off.

Note!

The engine has a built-in overheating protection and stops after a certain time of running, but re-starts after some time.

5. While the tyre is being filled, the engine should be running in order to save the battery capacity.
6. The vehicle should only be driven with a slow speed and only up to the nearest possible service station.



Icebox Cabinet

The **icebox cabinet** is located behind the front passenger's seat. It combines a 1.8 cu ft icebox with a utensil drawer and plenty of storage space. The folding top also serves as a convenient work area.

Open the folding top by pressing the black button in the lower left hand corner and lifting the top. **Lift the top a few inches and using both hands, slide the top to the left on its hinges. The top can now be opened fully without striking the sliding door guide rail on the the roof. Secure top in place with snap-on strap above door post. Slide the top to the right when you close it.**

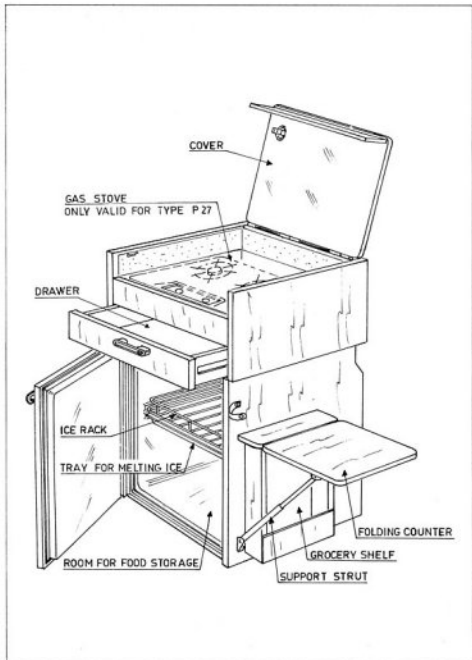
Beneath the folding top is a storage compartment which is ideal for a campstove or for other travelling or camping needs. Below the storage compartment is a utensil drawer. To open the drawer, press the push-button knob in the drawer handle.

Remember to keep the utensil drawer firmly closed while driving.

To **open the icebox**, unsnap the retaining strap first; then pull the door open by the handle. In the upper part of the icebox, one ice rack is provided to hold block ice, ice cubes or freezer ice packages in place. The catch basin under the ice racks is designed to collect the melted water and to drain it to the outside through a separate tube.

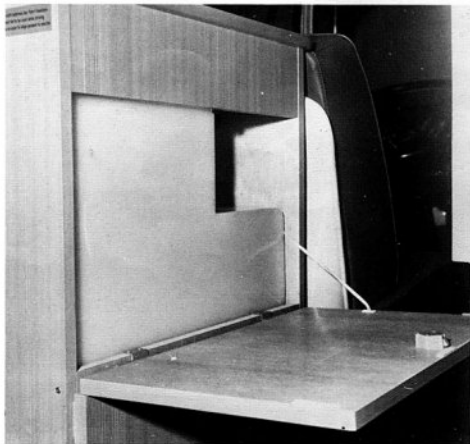
Inside the door is a **shelf for bottle storage**. The **food storage compartment** is spacious enough to hold your perishable items and anything else you wish to keep cold.

To open the cover press the press button on the left side of the cover and lift the cover up. If the cover is to be set in a vertical position it has to be pushed to the left first and then in vertical position to the right again so that it is arrested between rubber buffer and curtain rod.



When filling the icebox, be sure not to overfill the food storage area. Remember to leave enough room so that the icebox door can be shut securely without compressing any of the contents.

We recommend you use unbreakable plastic bottles and food containers. Avoid glass containers on camping trips. Any items placed in the icebox be tightly sealed to prevent spills.



Remember to keep the retaining strap on the icebox door fastened when the vehicle is in motion. This will prevent the door from accidentally opening and letting the contents spill out.

Grocery Shelf and Folding Counter

The **grocery shelf** and **folding counter** are located on the right side of the icebox cabinet. The grocery shelf is suitable for storing dry goods, such as canned soups and spices, and other items which do not have to be kept cold. The folding counter folds out, providing an ideal work surface. **Remember to lower the folding counter before closing the sliding door.** Push in the button lock in the table support to lower the folding counter.

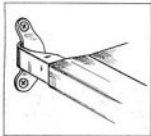


Child's Hammock

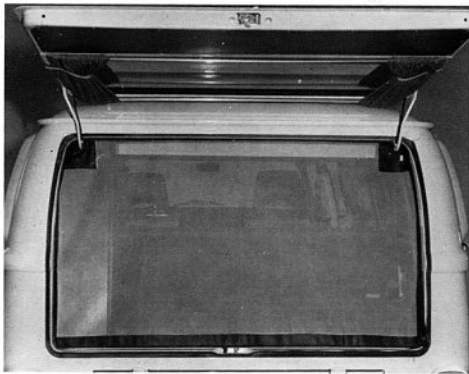
The hammock provides comfortable sleeping for a small child. It is stored rolled-up in the rear bench seat storage locker.

The child using the hammock should weigh no more than 90 lbs.

Remove head restraints from front seats before installing child's hammock.



To use the child's hammock, remove it from the storage locker and unroll it. Attach the hammock to the four mounting hooks over the driver's seat and front passenger seat (two on the front side pillars and two on the door posts).



Rear Lid Screen

The rear lid screen and the louvered windows form an excellent flow-through ventilation system for comfortable sleeping at night. It allows you to keep the rear lid open, while keeping annoying insects out of the Campmobile.

The rear lid screen can best be installed with the rear lid open. To install the net, simply press the snap fasteners in the proper locations. The lid can be closed with the screen installed.

Do not drive with the rear lid open to preclude the possibility of exhaust fumes entering the vehicle.

Collapsible Emergency Spare Tire

To provide maximum space in your Campmobile, a collapsible spare tire has been provided. **Tread and space saver design features of the collapsible tire may affect car handling. Therefore, do not drive more than 35 mph when using the collapsible spare tire. It is for emergency use and short distances only. Use the original road tire as soon as possible.**

The collapsible emergency spare tire can be stored in the bottom compartment below the water tank in the sink cabinet. Air compressor and tire inflation gauge can also be stored below the water tank.



To use the collapsible spare tire, remove it from the storage compartment (you will have to take the door off its hinges) and place it on the ground near the right front door. Take out the air hose and electric cord. Attach the air hose to the tire valve. Insert plug of electric cord into the socket below the glove compartment door on the dashboard. Keep the engine idling while inflating the tire to preserve battery power.

From time to time, check the pressure in the collapsible tire with the inflation gauge. Inflate the tire to the pressure specified on the label on the steering column bracket. Disconnect the hose and electric cord and store in compressor case.

Have the road tire repaired and remounted on vehicle at the next service stop. Remember the collapsible tire is for emergency use and short distances only.

OPTIONAL EQUIPMENT

1. Campmobile with Pop-Up Roof

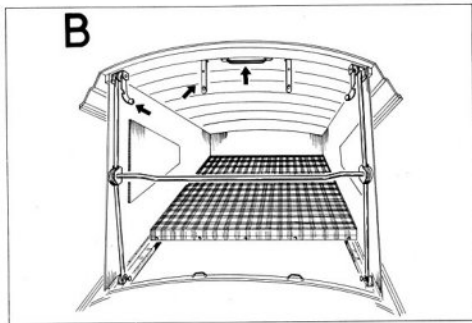
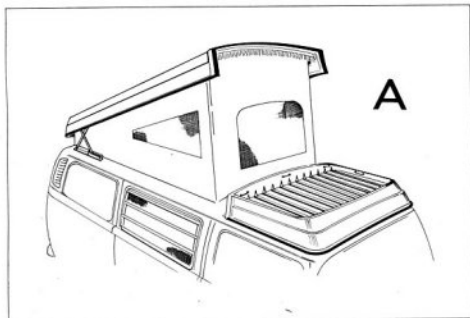
This option includes all the equipment except the Rear Ceiling Cabinet. It also includes the following:

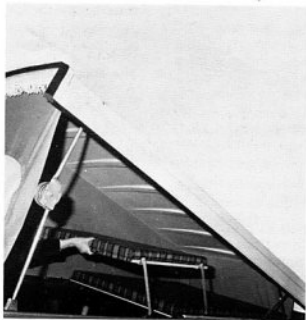
Pop-Up Roof

The entire roof of Campmobiles equipped with this option is covered with a fiberglass-reinforced polyester top. The larger rear portion of the roof (Illustration A) is the actual Pop-Up Roof. To raise this section, release the two metal latches and retaining strap (arrows in Illustration B). When the latches and strap are disengaged, simply push the crossbar up until the strut supports at the front of the top are locked into position.

To close the top, pull the crossbar back and lower the top. As you lower the top, gather in the canvas sides of the top. Have someone outside the vehicle help make sure the fabric does not stick out from the sides of the roof. **Attach the metal latches and retaining strap to secure the top.**

To prevent damage to the top and sides of the Pop-Up Roof, the Campmobile should not be driven with the top in the elevated position.





Luggage Rack

The front section of the roof with the Pop-Up Roof contains the luggage rack. It is equipped with buffer rods and tiedown hooks to facilitate loading and securing baggage. The luggage rack is accessible through the front flap of the Pop-Up Roof.

Any baggage carried on the roof luggage rack should be securely tied down. Commercially available spider straps will keep cargo from moving around.

Double Bed in Roof

A 6' x 3'10" double bed is built into the Pop-Up Roof. The bed is folded away when the roof is down and can be easily opened at night with the roof up. Grasp the upper half of the mattress and pull it toward the front of the Campmobile into position. To fold the bed away, simply lift the front half of the mattress up and push it toward the back of the vehicle.

The double bed is made of foam rubber with cloth covers which are snap fastened to plywood boards and firmly supported by the sides of the roof.

2. Deluxe Campmobile with Pop-Up Roof

This is the most comprehensive option and includes all of the previously mentioned items except for the Ceiling Cabinet. It also includes the following:

Refrigerator Cabinet

In place of the Icebox Cabinet of the Basic equipment, a 1.6 cu ft refrigerator cabinet is installed when you order the Deluxe Campmobile with Pop-Up Roof option.

The storage compartment, folding top, and utensil drawer of the refrigerator cabinet are the same as those in the icebox cabinet. Turn to pages 12 and 13 to familiarize yourself with the various units of your refrigerator cabinet.

The refrigerator in your Campmobile can be operated by battery power. A second 12 V battery has been provided for this purpose in the engine compartment. Or you can also make use of the regular 110 V power supply provided at many campsites.

When using 12 V battery power

The refrigerator should only be operated on battery power while the engine is running, otherwise the battery will soon run down.

Before starting out on a trip, turn the knob on the control panel (on the aisle side of the refrigerator cabinet) to the switch position "12V". The temperature in your refrigerator is not thermostatically controlled when you use battery power, however, the refrigerator will be kept sufficiently cool to preserve food.

When using 110 V external power supply

Be sure the external power supply agrees with the sticker specifications on the outside receptacle of the vehicle before hooking up.

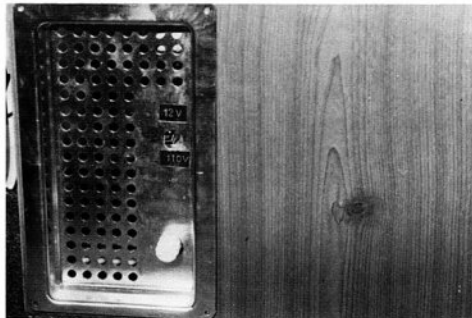
To make use of the regular current supply at many campsides, turn the switch on the control panel to position "110V". Turn the thermostat switch (bottom switch on control panel) all the way to the right for maximum output. After about 2 hours adjust the thermostat switch to the desired temperature level. To turn the refrigerator off, move the thermostat switch fully to the left, overcoming a slight resistance.

Cleaning the refrigerator

Clean with lukewarm water and mild soap solution. After extended usage, it may be necessary to also defrost the refrigerator.

The door gasket should not come into contact with oil or grease.

Apply talcum powder to the gasket from time to time.



Gas Campstove

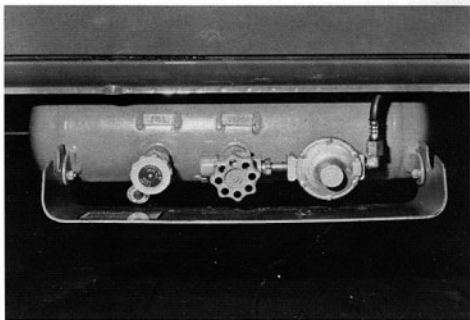
The gas campstove is in the top compartment of the refrigerator cabinet, and comes complete with refillable liquid propane tank and hookup.

Carefully read the operating instructions for the gas campstove before use. Observe all safety precautions as you would when using gas for cooking in your home.



Basic Safety Practices

- DO NOT USE THE GAS STOVE WHILE DRIVING.
- Keep combustible materials clear of the stove when the gas flames are on.
- The burner orifices have been set by the factory for safe operating. Therefore, do not change their size.
- Keep a lighted match ready when turning on the burners.
- Keep windows or door open when cooking. Gas flames consume oxygen.
- Make sure the gas tank is properly fastened in place.
- Check tank and lines from time to time to be sure they are tight. When testing for leaks, use soapy water.
- If you take the tank to a dealer for filling, transport the tank in the position in which it is used, with the valves closed. Secure the tank against falling or rolling.
- PRACTICE SAFETY AT ALL TIMES.





Fire Extinguisher

A small dry chemical fire extinguisher is attached to the front wall of the rear bench / bed seat.

To use the fire extinguisher, release the metal bracket holding the bottle. Remove the tape over the white discharge button. Hold the extinguisher upright. Press the white button all the way down. Aim the spray at the base of the flame.

Do not test the fire extinguisher. Partial discharge may cause the contents to leak.



Storage Box/Trash Container

A combination storage box and trash container is installed between the driver's seat and front passenger's seat. The upholstered storage container can also be used as another seat around the dinette table or at the campsite.

The storage container is attached to the front seats by two retaining straps. Do not sit on the storage container when the vehicle is in motion. The seat is not equipped with a safety belt or backrest.

Before you drive off, secure the storage container in place with the retaining straps.

Additional Equipment

Campmobile Tent

The tent is optional equipment that can be used with any of the other equipment packages.

The tent measures 6'6" x 9'8" and is made of heavy duty weatherproof canvas. It comes complete with vinyl floor, external metal frame, guy lines, ground pins and stakes, storage bag, and connecting boot. It features screened doors and side ventilation flaps with easy zipper operation.

The tent can be assembled and left standing or it can be attached to the driprail of the Campmobile by means of the connecting boot. You can drive away from the tent after you have disconnected the boot. The design of the tent allows you to leave the tent standing free at the campsite while you make daytime excursions with your Campmobile.

Before you assemble the tent:

Find a level spot, preferably on high ground, which allows for natural drainage of rainwater.

If campsite rules permit, dig a trench approximately 6" wide and 6" deep around the tent to channel rain water away from your campsite. **It would be a good idea to practice assembling and disassembling the tent at home before you attempt to use it on a camping trip.**

To assemble the tent:

a) Assemble the front part of the frame which consists of telescopic tubular frames poles (8) and (9), connecting angle supports (marked green) (2) and (3), center piece (1) and two ridge tubes (4) (illustration A).

NOTE: Don't extend the telescopic poles (8) and (9) just yet. It is easier to join the front and rear sections of the frame and attach the tent with the frame at this height.

b) Assemble rear part of frame, which consists of telescopic tubular frame poles (8) and (9), angle supports (marked red) (6) and (7), center piece (5) and two ridge tubes (4).

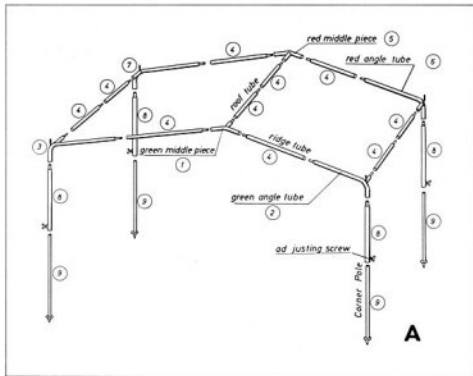
c) Connect front and rear portion of frame with roof tubes (4).

d) Lay the tent canvas (10) below the framework, spread it out and attach the canvas loop (23) to the frame (Illustration B).

e) Extend corner poles (8) and (9) until tent bottom touches the ground evenly on all sides.

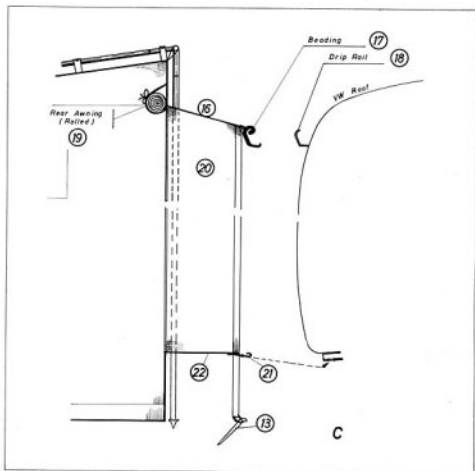
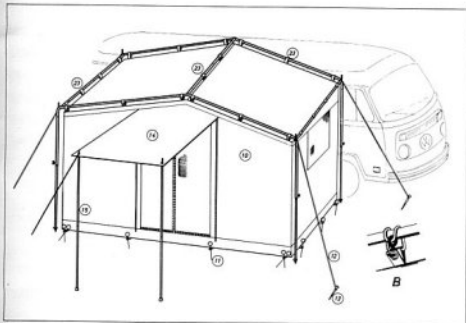
f) Then use ground pins (11) to fasten tent bottom to ground. Attach and tighten guy ropes (12) with stakes (13).

g) The front door (14) can be folded up and supported by rods (15), guy lines (12), and stakes (13) to form an awning. It can also be rolled up and tied above the door opening.

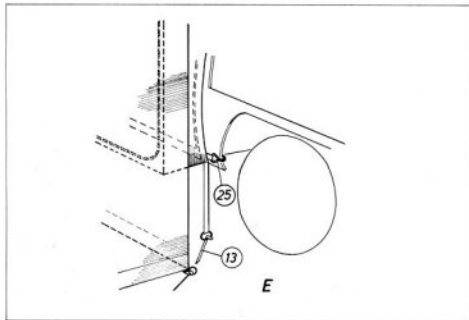
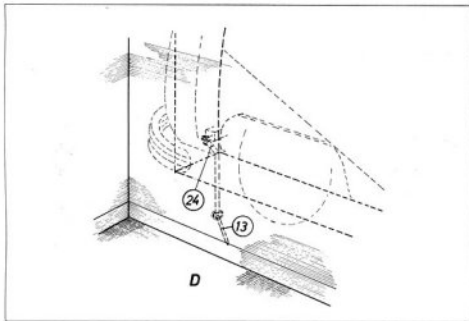


To attach the tent to the Campmobile:

- h) Unzip the rear door, roll up the flap, and tie it above the opening.
- i) Open the sliding door and drive the vehicle next to the rear of the tent, leaving about six inches between the tent wall and the side of the Campmobile.
- j) Align the rubber seal on the sliding door post with the front edge of the tent rear flap opening.



- k) To connect the boot (16), snap the seal (17) on to the diprail (18) of the vehicle (illustration C).



1. Fasten the sides of the connecting boot (20) to the ground with stakes (13). Fasten the bottom flap (22) to the vehicle with the center hook (21) (illustration C), the rear hook (24) (illustration D), and the front hook (25) (illustration E).

When you plan to drive away from the tent, remember to release the center, front and rear hooks (21, 24 and 25) and unfasten the bottom flap of the connecting boot (22) and the top seal (17) from the Campmobile.

To disassemble the tent, just reverse the assembly procedure.

In the event of heavy rain, untie one of the loops (23) attaching the tent to the frame on each side. This will prevent water from collecting on the roof of the tent.

Remember not to push up from the inside of the tent to dislodge water that has collected. Touching the inside of the tent while it is wet could cause the tent to leak at that spot. This is perfectly normal with any canvas tent.

Allow the tent to dry thoroughly after it has been wet, before returning it to the storage bag. In the event you cannot dry it immediately, dry it out as soon as possible. Air-drying is best, away from any source of direct heat. Make sure the seams, edges, and all cloth panels are dry before packing.

Clean and dry the bottom of the vinyl floor very well before packing the tent.

Don't roll up the stakes and ground pins with the tent, keep them separate to help prevent mildew.

Stains caused by spills, tree sap or bird droppings can be washed off with clear water and brown soap. Spot removers or volatile solvents could the waterproofing and color of your tent.

HINTS

What to take along

Camping out can be a lot of fun, and to make sure you have a lot of fun, here are a few suggestions for your next trip. This list is not complete and can be tailored to your individual needs.

First-aid kit and first-aid manual.

Small dry chemical fire extinguisher.

Flashlight or lantern.

Three-prong power cord approximately 25' long.

Waterproof matches.

Folding shovel (entrenching tool).

Plastic bags for garbage disposal and odds and ends.

Water-purification kit.

A small saw may come in handy.

Lightweight nylon rope.

Sun-tan lotion and insect repellent.

Sewing kit.

Rain gear, just in case.

Folding campchairs.

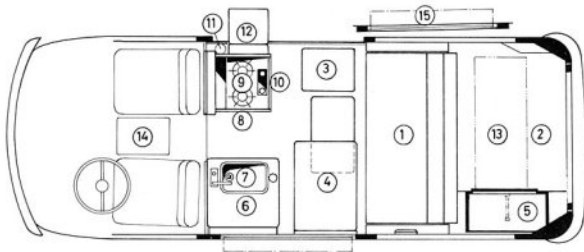
Games and puzzles for the children.

Cleaning your Campmobile

The cabinets and upholstery in your Campmobile can be cleaned by wiping them with a damp cloth. For heavy dirt and stains, use VW All-Purpose Cleaner (part number ZVW243101), available at your Authorized VW Dealer.

Follow the instructions on the container.

When cleaning cabinets, floors and upholstery, never use gasoline, kerosene, naphtha, nail polish remover or any other volatile solvents. They may be toxic or flammable and therefore hazardous. Keep all cleaning agents out of the reach of children.



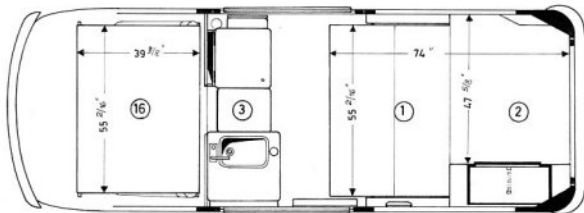
BY DAY:

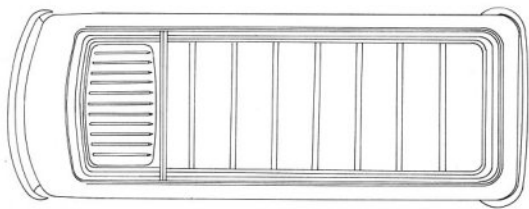
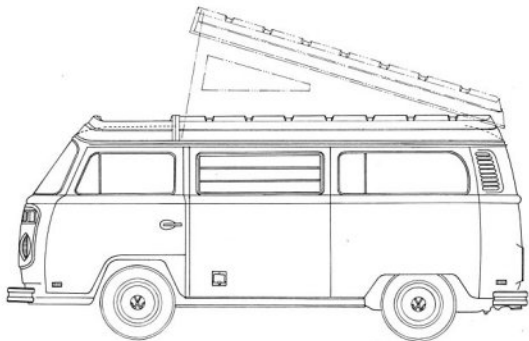
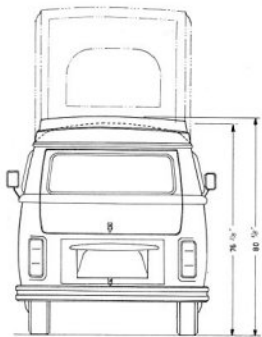
- 1 – Rear bench seat
- 2 – Mattress over engine compartment
- 3 – Upholstered jump seat
- 4 – Folding dinette table with extension
- 5 – Clothes closet
- 6 – Sink cabinet
- 7 – Stainless steel sink & 12 V water pump
- 8 – Icebox cabinet
- * 9 – Gas campstove
- * 10 – Refrigerator
- * 11 – Dry chemical fire extinguisher
- 12 – Grocery shelf with folding counter
- 13 – Rear ceiling cabinet (not available with Pop-Up Roof)
- * 14 – Storage box/trash container
- 15 – Louvered (jalousie) windows

* – Deluxe Campmobile only

BY NIGHT:

- 1 & 2 combine to make the double bed
- 16 – Child's hammock





WESTFALIA-WERKE, FRANZ KNÖBEL & SÖHNE KG · 4832 WIEDENBRÜCK



Spurkang Box 660

May not be reproduced or translated in whole or in part without the written consent of Volkswagenwerk. Specifications subject to change without notice. All rights reserved.

42-02-4960-1

Printed in Germany 8. 73