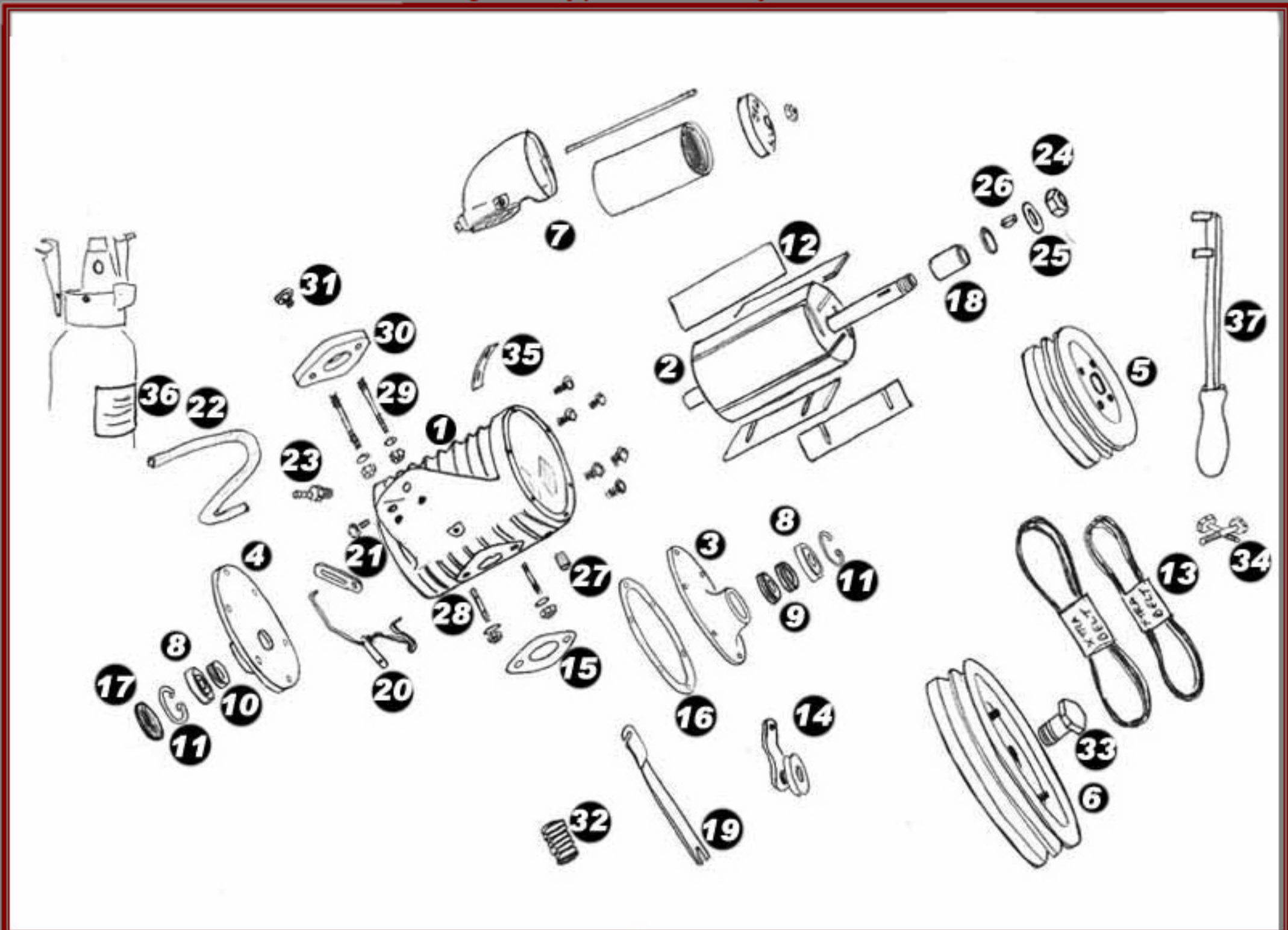


## Judson Supercharger Exploded View & Component Listing

*Drawings used by permission of Alejandro Martin*



- |  |   |
|--|---|
| 1. Housing                                       | 20. Throttle linkage                          |
| 2. Rotor   | 21. Throttle control arm (36hp only)          |
| 3. Front cover                                   | 22. Oiler hose                                |
| 4. Rear cover                                    | 23. Oiler brass nipple                        |
| 5. Supercharger pulley (36hp double/40hp single) | 24. Shaft nut                                 |
| 6. Crankshaft pulley (36hp double/40hp single)   | 25. Shaft washer                              |
| 7. Air cleaner assembly                          | 26. Shaft key                                 |
| 8. Bearing (front & rear)                        | 27. Gauge port blanking screw                 |
| 9. Front oil seal (x2)                           | 28. Mounting stud, washer & nut (x2)          |
| 10. Rear oil seal                                | 29. Carburettor stud, washer & nut (x2)       |
| 11. Snap ring                                    | 30. Carburettor spacer (40hp only)            |
| 12. Vane (x4)                                    | 31. Air correction jet (36hp) Main jet (40hp) |
| 13. Drive belt (36hp x2)                         | 32. Fuel pump spring (36hp only)              |
| 14. Belt tensioner (40hp only)                   | 33. Long crankshaft bolt                      |
| 15. Intake gasket                                | 34. 5/16" U.S.S. jacking bolt (x2)            |
| 16. Front cover gasket                           | 35. Supercharger I.D. tag                     |
| 17. Rear end cap                                 | 36. Marvel Mystery oiler                      |
| 18. Rotor shaft spacer                           | 37. Pulley (holdit) tool                      |
| 19. Support bracket                              |   |