

VOLKSWAGEN
4TMV SERIES

MOTOROLA



GENERAL INFORMATION

This supplement covers changes in the 4TMV series of radios to improve overall performance.

These changes include a revised plated chassis board as well as some resistor and capacitor value changes

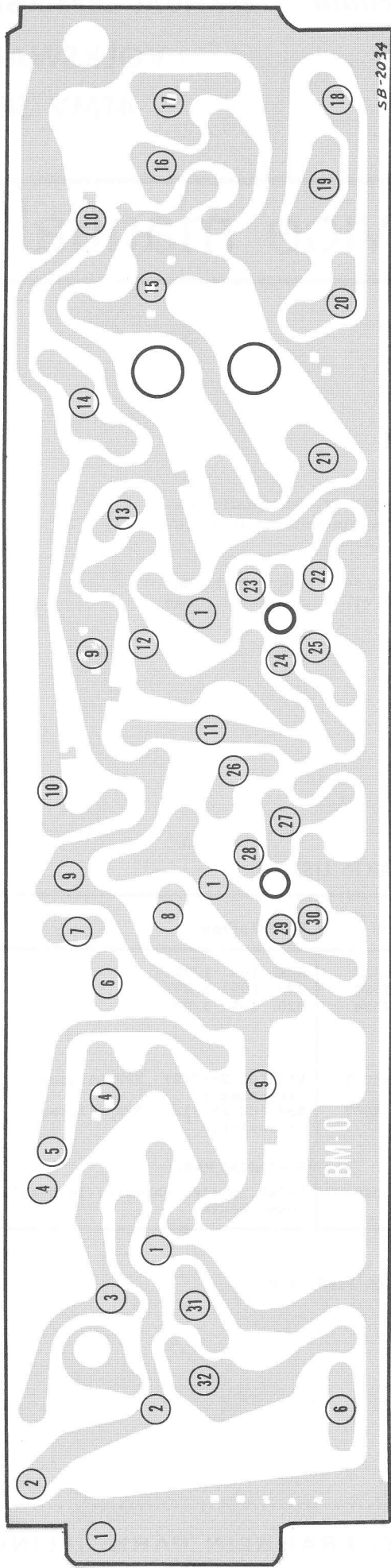
(see Supplementary Schematic Diagram and Supplementary Replacement Parts List).

Radios having serial numbers higher than 50,000 will incorporate these changes.

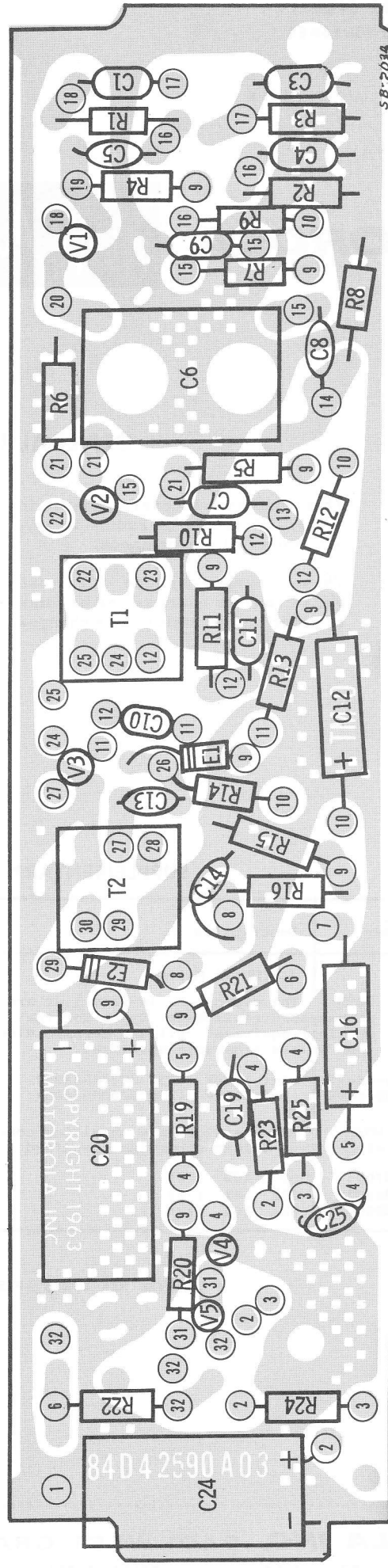
SUPPLEMENTARY REPLACEMENT PARTS LIST

Ref. No.	Part Number	Description	Ref. No.	Part Number	Description
ELECTRICAL PARTS					
CAPACITORS - NOTE: The capacitors in this list are recommended replacement types for the original equipment; all are ceramic disc type unless otherwise specified.			R12	6R127532	33K 10% 1/2W
C10	8C40906A17	.1mf 100V (USE 8C40906A05)	R13	6R127534	820 10% 1/2W
C11	8C40906A06	.1mf 100V (USE 8C40906A05)	R20	6R127534	820 10% 1/2W
RESISTORS - NOTE: All resistors are insulated composition type unless otherwise specified.			TRANSISTORS		
R8	6R127005	5600 10% 1/2W	V4	48R134667	M54 (GE 2N2712) NPN silicon transistor
R10	6R124507	68K 10% 1/2W	V5	48R134667	M54 (GE 2N2712) NPN silicon transistor
R11	6R125535	39K 10% 1/2W	MECHANICAL PARTS		
			*84D42590A03		BOARD, plated chassis: less all components

* DENOTES NEW ITEMS APPEARING IN ANY LIST FOR FIRST TIME.



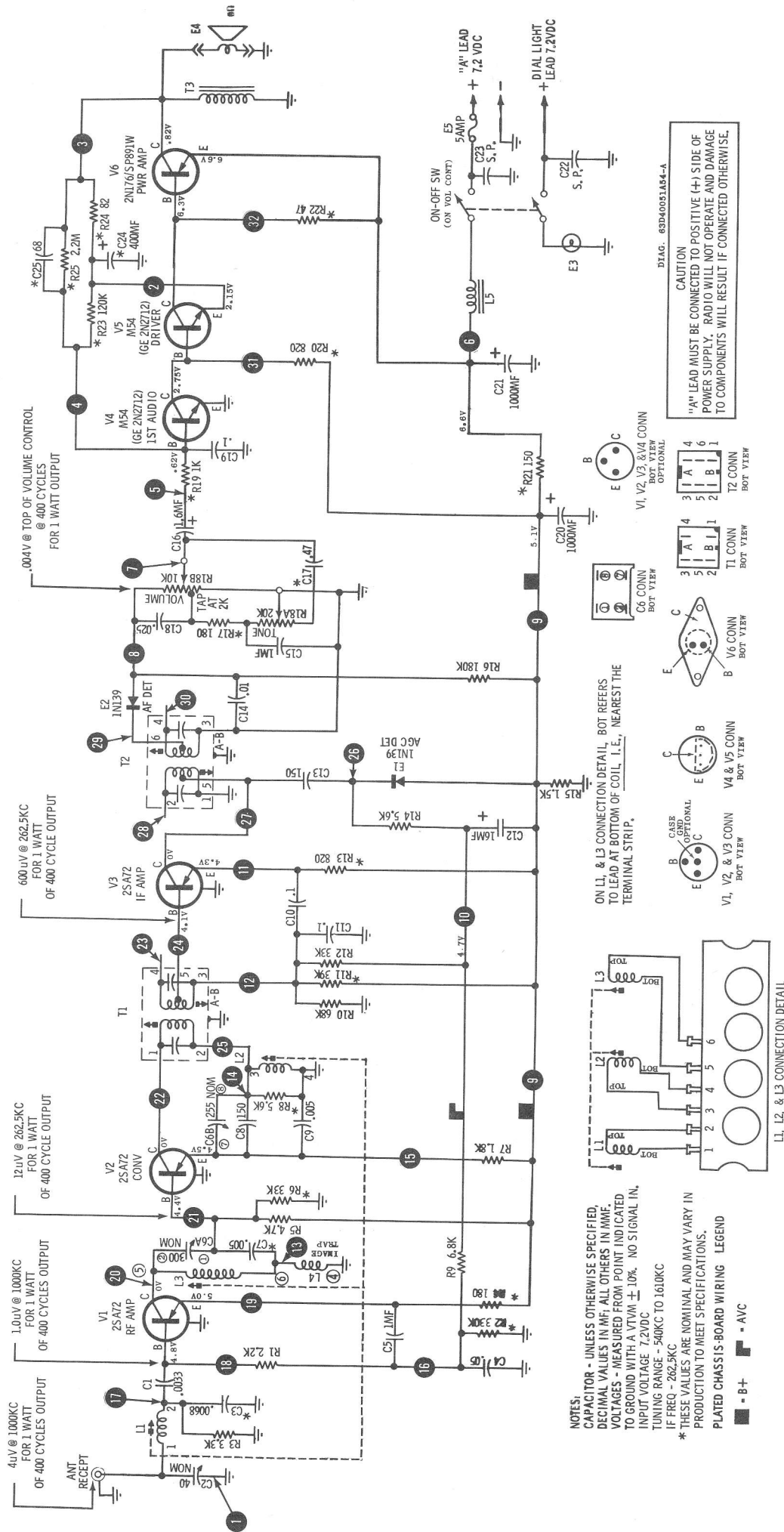
PLATED CHASSIS REFERENCE POINTS FOR SETS USING 84D42590A03 PLATED BOARD
(BOTTOM VIEW)



PLATED CHASSIS REFERENCE POINTS FOR SETS USING 84D42590A03 PLATED BOARD
(TOP VIEW)

PLATED CHASSIS REFERENCE SYSTEM

All service points accessible on the bottom of the plated chassis have been cross-referenced to the schematic by the circled reference numbers. To check the voltage at the base of the driver transistor, 1) locate the driver transistor base on schematic, 2) check reference number on schematic, 3) locate reference number on bottom view of plated chassis. To locate any specific part of the plated chassis, use the TOP VIEW.



NOTES:
 CAPACITOR - UNLESS OTHERWISE SPECIFIED, DECIMAL VALUES IN MH, ALL OTHERS IN MMF.
 VOLTAGES - MEASURED FROM POINT INDICATED TO GROUND WITH A VTVM $\pm 10\%$. NO SIGNAL IN. INPUT VOLTAGE 7.2VDC
 TUNING RANGE - 540KC TO 1610KC
 IF FREQ - 262.5KC
 * THESE VALUES ARE NOMINAL AND MAY VARY IN PRODUCTION TO MEET SPECIFICATIONS.
 PLATED CHASSIS-BOARD WIRING LEGEND
 ■ = B+ ■ = AVC

SUPPLEMENTARY SCHEMATIC DIAGRAM FOR SETS USING 84D42590A03 PLATED BOARD

CAUTION
 "A" LEAD MUST BE CONNECTED TO POSITIVE (+) SIDE OF POWER SUPPLY. RADIO WILL NOT OPERATE AND DAMAGE TO COMPONENTS WILL RESULT IF CONNECTED OTHERWISE.

DIAG. 83DM0081A54-A