

OWNER'S MANUAL  
SAPPHIRE<sup>®</sup> playtape<sup>®</sup> I

**TAPE PLAYER**  
WITH  
ALL TRANSISTOR RADIO

**CUSTOM BUILT**

for

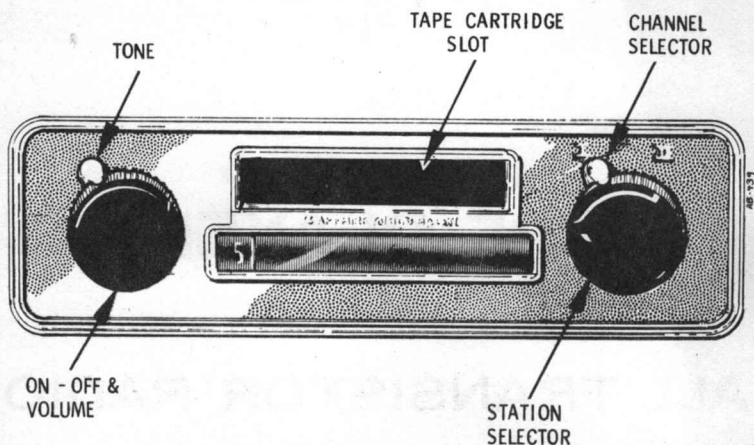
**VOLKSWAGEN**

by **MOTOROLA**

**MOTOROLA INC.**



9401 W. Grand Ave., Franklin Park, Ill.



## OPERATING INSTRUCTIONS

### CONTROLS

**ON-OFF.** Turning ON-OFF knob CW (from extreme CCW position) provides power to the tape player and radio.

**TAPE SLOT.** Inserting tape cartridge into tape slot to a seated position switches radio off and tape player on. Retracting tape cartridge approximately  $\frac{1}{2}$  inch from seated position or removing tape cartridge completely switches tape player off and radio on.

**VOLUME (RADIO & TAPE PLAYER).** Turning ON-OFF knob CW increases volume. Turning ON-OFF knob CCW decreases volume.

**TONE (RADIO & TAPE PLAYER).** Turning TONE knob CW accents treble. Turning TONE knob CCW accents bass.

**CHANNEL SELECTOR (TAPE PLAYER ONLY).** Turning CHANNEL SELECTOR to the "I" selects channel 1 to play. Turning CHANNEL SELECTOR to "II" selects channel 2 to play.

**NOTE:** The selected channel will play continuously until the other channel is selected or until the tape cartridge is pulled out from its seated position.

**STATION SELECTOR (RADIO ONLY).** Turning STATION SELECTOR knob tunes in desired radio station.

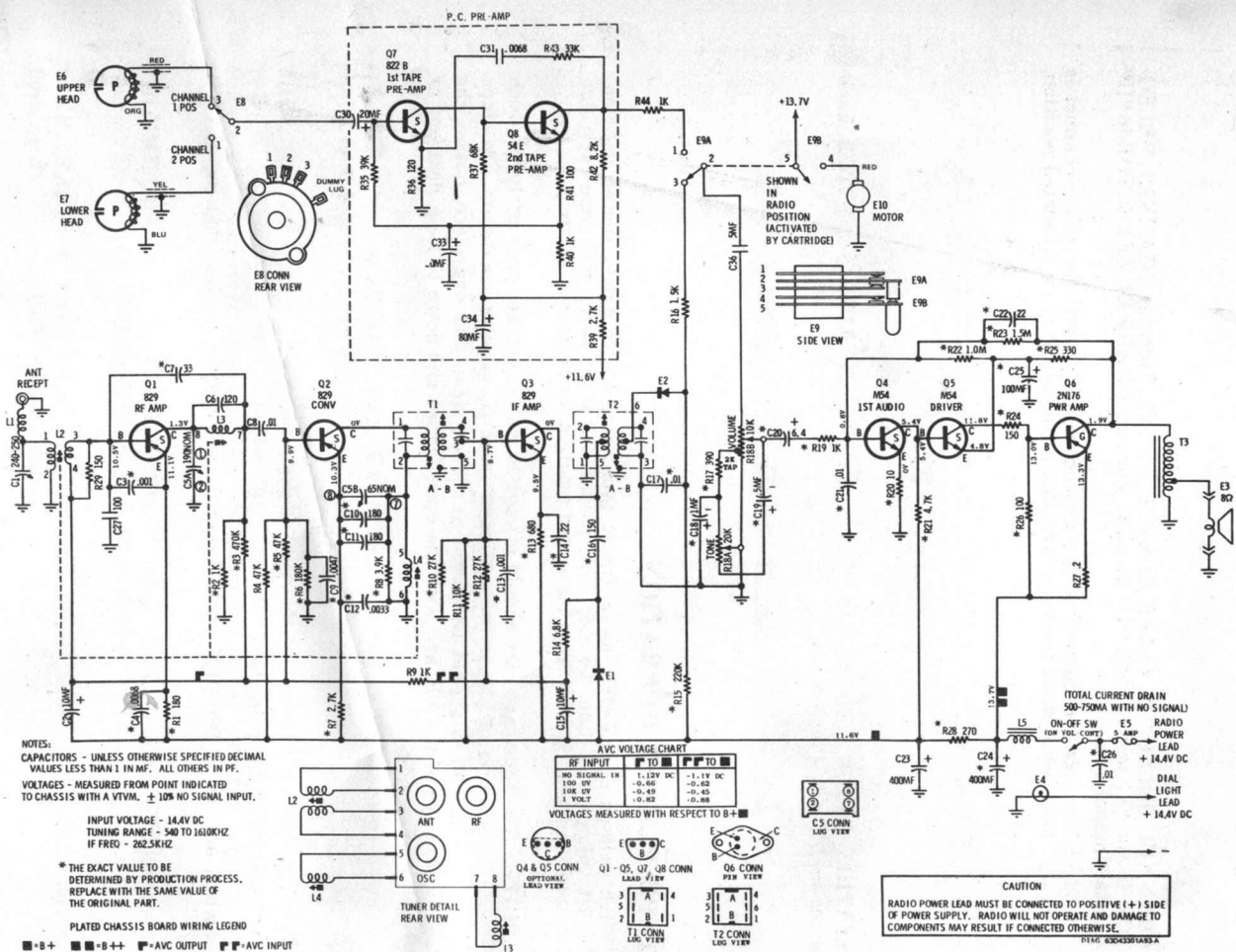
## **TAPE PLAYER OPERATION**

Switch unit on at ON-OFF knob. Insert tape cartridge to firmly seated position. Adjust volume and tone. To stop tape player and start radio, pull tape cartridge out approximately  $\frac{1}{2}$  inch from its seated position, or remove it entirely.

**NOTE:** The tape cartridge should always be pulled out approximately  $\frac{1}{2}$  inch when tape player is not being used. To assure maximum life, tape cartridges should be stored in a cool, clean and dry place, out of the rays of the sun and with the open (tape) end down to keep dust out of cartridge.

## **RADIO OPERATION**

Switch unit on at ON-OFF knob. Select desired station. Adjust volume, and tone.



**SCHEMATIC DIAGRAM**