

# APPLICATION

1973 VOLKSWAGEN 181

# PART NO.

# ZVW164-181

6697-27

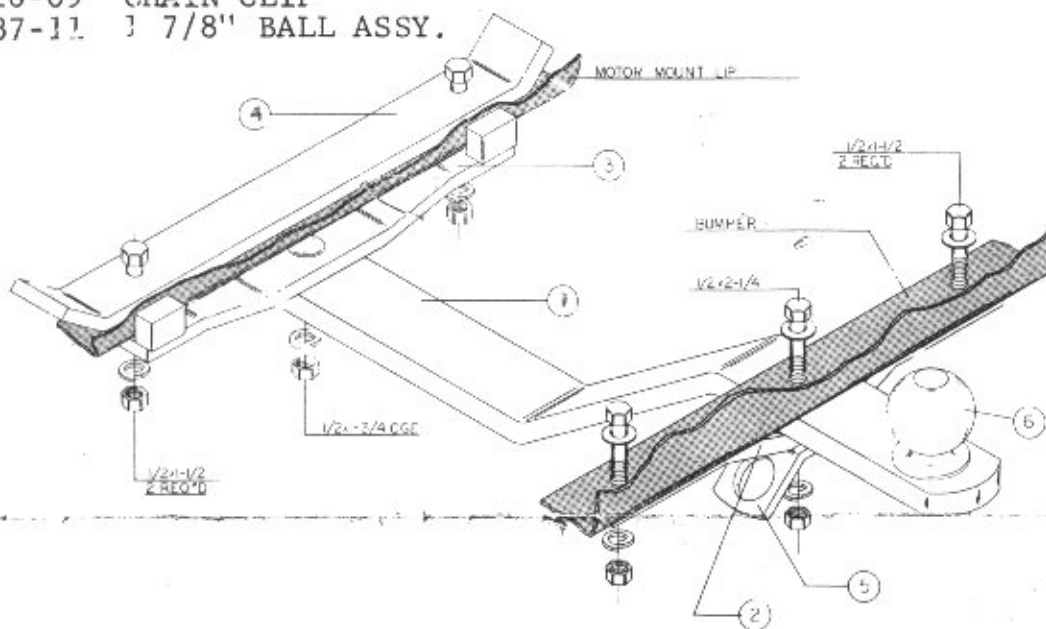
## GROSS LOADS

1430 LBS. MAXIMUM TRAILER WEIGHT WITH TRAILER BRAKES  
 880 LBS. MAXIMUM TRAILER WEIGHT WITHOUT BRAKES  
 88 LBS. MAXIMUM TONGUE WEIGHT

## PARTS INCLUDE

1. 3862-09 DRAW BAR
2. 1330-09 YOKE
3. 4548-09 YOKE ASSY.
4. 4545-09 STRAP
5. 1016-09 CHAIN CLIP
6. 4537-11 7/8" BALL ASSY.

## ASSEMBLE AND ATTACH AS ILLUSTRATED



1. ASSEMBLE DRAW BAR #1 AND YOKE ASSY. #3 WITH  $\frac{1}{2} \times 1 \frac{3}{4}$ " CGE BOLT. NOTE: WELDED TABS ON YOKE ASSY. #3 ARE TO FACE TOWARDS REAR OF VEHICLE.
2. INSERT  $\frac{1}{2} \times 1 \frac{1}{2}$ " HEX BOLTS IN STRAP #4 AND PLACE ON MOTOR MOUNT WITH OFFSET HOLES TOWARDS FRONT OF VEHICLE.
3. LOOSELY BOLT HITCH TO MOTOR MOUNT WITH  $\frac{1}{2} \times 1 \frac{1}{2}$ " HEX BOLTS.
4. ALIGN DRAW BAR #1 IN CENTER OF BUMPER, MARK AND DRILL  $\frac{1}{2}$ " HOLES USING DRAW BAR AS A TEMPLATE.
5. ATTACH DRAW BAR #1 YOKE #2 AND CHAIN CLIP #5 TO BUMPER WITH  $\frac{1}{2} \times 2 \frac{1}{4}$ " HEX BOLTS. MARK AND DRILL REMAINING  $\frac{1}{2}$ " HOLES IN BUMPER USING YOKE AS TEMPLATE.
6. TIGHTEN ALL BOLTS TO REQUIRED TORQUE SPECIFICATIONS.

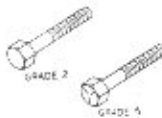
NOTE: Communications regarding this product should refer to \_\_\_\_\_-066 and Packing No. stamped on this carton.

BF -OVER-

INSTALLATION INSTRUCTIONS

## TOOLS REQUIRED

SIZE	TIGHTEN BOLTS			
		FT.	LB.	TORQUE
7/16	GR 2	40 Ft. Lb.	GR 5	55 Ft. Lb.
1/2	GR 2	65 Ft. Lb.	GR 5	75 Ft. Lb.
5/8	GR 2	100 Ft. Lb.	GR 5	160 Ft. Lb.



NORMAL HAND TOOLS, CENTER PUNCH, 1/2" CAP. DRILL MOTOR TORQUE WRENCH.

**NOTE:** Some states require clear view of license. Remove ball when not in use if it restricts view.  
**NOTE:** This product complies with safety specifications & requirements for connecting devices & towing systems of the state of New York.

**GUARANTEE** This product is guaranteed to the original consumer-purchaser against any defect in material or workmanship for five years from date of purchase. The liability of the manufacturer, hereunder, and under any implied warranties arising out of the sale of this product is strictly limited to the replacement of this product or refund of the purchase price at the option of the manufacturer. This product is recommended for leads up to the limits stated on proper installation and normal and proper use. "The manufacturer shall not be liable for any damage or injury to property (other than the product itself) or any commercial loss or damage."

APPLICATION

PART NO.

1974 VOLKSWAGEN "THING"

ZVW164-164

6016-27

GROSS  
LOADS

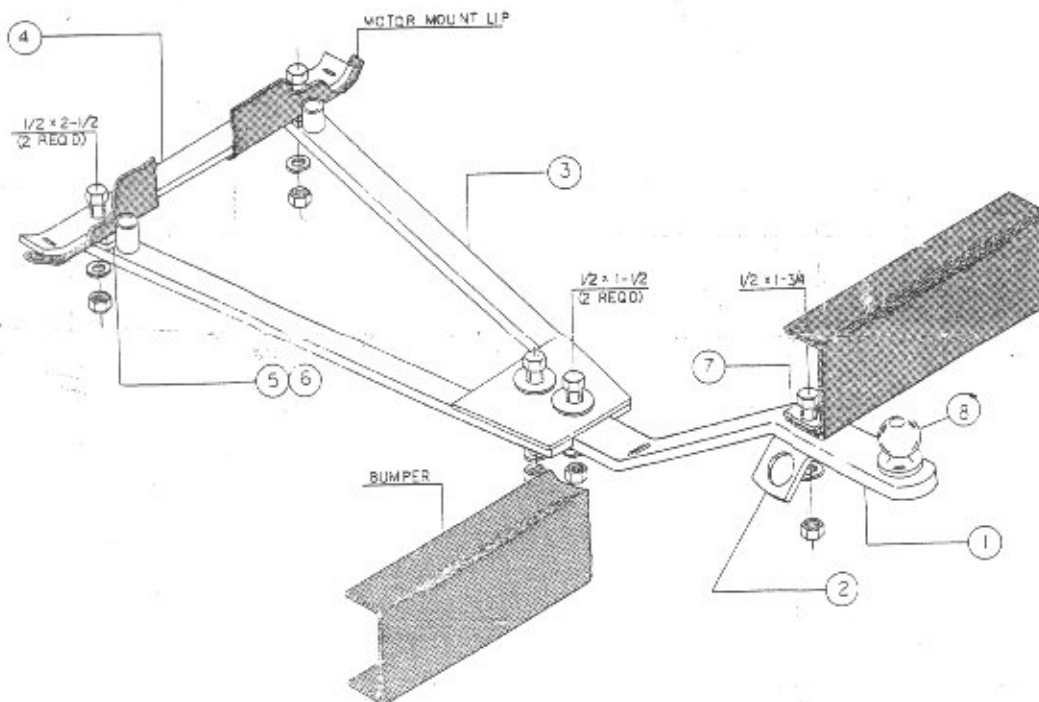
880 LBS. MAXIMUM TRAILER WEIGHT  
88 LBS. MAXIMUM TONGUE WEIGHT

1430 LBS. WITH  
BRAKED TRAILER

PARTS INCLUDE

1. 3942-07 DRAW BAR
2. 1016-07 CHAIN CLIP
3. 0384-07 WELDED ASSY.
4. 1250-07 STRAP
5. 1002-03 SPACER - 3/8"
6. 1027-03 SPACER - 1/2"
7. 1001-03 SPACER - 3/16"
8. 4537-11 BALL ASSY.

ASSEMBLE AND ATTACH  
AS ILLUSTRATED



NOTE: COMMUNICATIONS REGARDING THIS PRODUCT SHOULD REFER TO PART NUMBER ON THIS SHEET AND DATE CODE STAMPED ON CARTON. 4-283

INSTALLATION INSTRUCTIONS

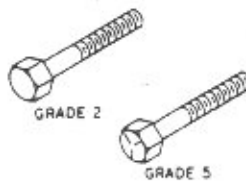
## INSTALLATION INSTRUCTIONS

1. ASSEMBLE DRAW BAR #1 AND WELDED ASSEMBLY #3 TOGETHER AS ILLUSTRATED. POSITION THIS ASSEMBLY WITH DRAW BAR ON BOTTOM LIP OF BUMPER AND TABS OF WELDED ASSEMBLY AGAINST MOTOR MOUNT LIP.
2. BOLT STRAP #4 TO ARMS OF WELDED ASSEMBLY #3. BE SURE TO PLACE SPACERS #5 AND #6 BETWEEN MOTOR MOUNT AND ARMS. THE MOTOR MOUNT IS CLAMPED BETWEEN STRAP #4 AND ASSEMBLY #3.
3. MARK AND DRILL ONE 1/2" HOLE IN LOWER LIP OF BUMPER USING HOLE IN DRAW BAR AS A GUIDE. BOLT DRAW BAR #1 AND CHAIN CLIP #2 TO BUMPER. PLACE SPACER #7 INSIDE BUMPER LIP AS A BACKING PLATE.
4. TIGHTEN ALL BOLTS TO TORQUE SHOWN ON TORQUE TABLE.

**INSTALLATION NOTE:** Check attachment points for electrical wires or hoses before drilling holes.

### TOOLS REQUIRED

NORMAL HAND TOOLS   1/2" CAPACITY DRILL MOTOR   TORQUE WRENCH   CENTER PUNCH

BOLT TORQUE REQUIREMENTS						METRIC BOLT TORQUE REQUIREMENTS GRADE IDENTIFICATIONS ON BOLT HEADS.	
Size	Grade	Torque	Grade	Torque		5.8 to 6.9	Grade 2
3/8	2	25 Ft. Lb.	5	35 Ft. Lb.		8.8 to 8G	Grade 5
7/16	2	40 Ft. Lb.	5	55 Ft. Lb.		<b>GRADE 2</b>	
1/2	2	65 Ft. Lb.	5	75 Ft. Lb.		8mm	18 lb. ft.
5/8	2	100 Ft. Lb.	5	160 Ft. Lb.	10mm	24 lb. ft.	
						<b>GRADE 5</b>	
						8mm	32 lb. ft.
						10mm	38 lb. ft.

**NOTE:** This product complies with Regulation V-5.

**NOTE:** Some states require clear view of license. Remove ball when not in use if it restricts view.

**NOTE:** This product complies with safety specifications & requirements for connecting devices & towing systems of the state of New York.

**GUARANTEE** This product is guaranteed to the original consumer-purchaser against any defect in material or workmanship for five years from date of purchase. The liability of the manufacturer, hereunder, and under any implied warranties arising out of the sale of this product is strictly limited to the replacement of this product or refund of the purchase price at the option of the manufacturer. This product is recommended for loads up to the limits stated on proper installation and normal and proper use. The manufacturer shall not be liable for any damage or injury to property (other than the product itself) or any commercial loss or damage.

VALLEY TOW-RITE, 1313 S. STOCKTON ST. LODI, CA 95240 — SHELBYVILLE, KY 40065  
A DIVISION OF THE SCOTT & FETZER CO. (209) 368-8881