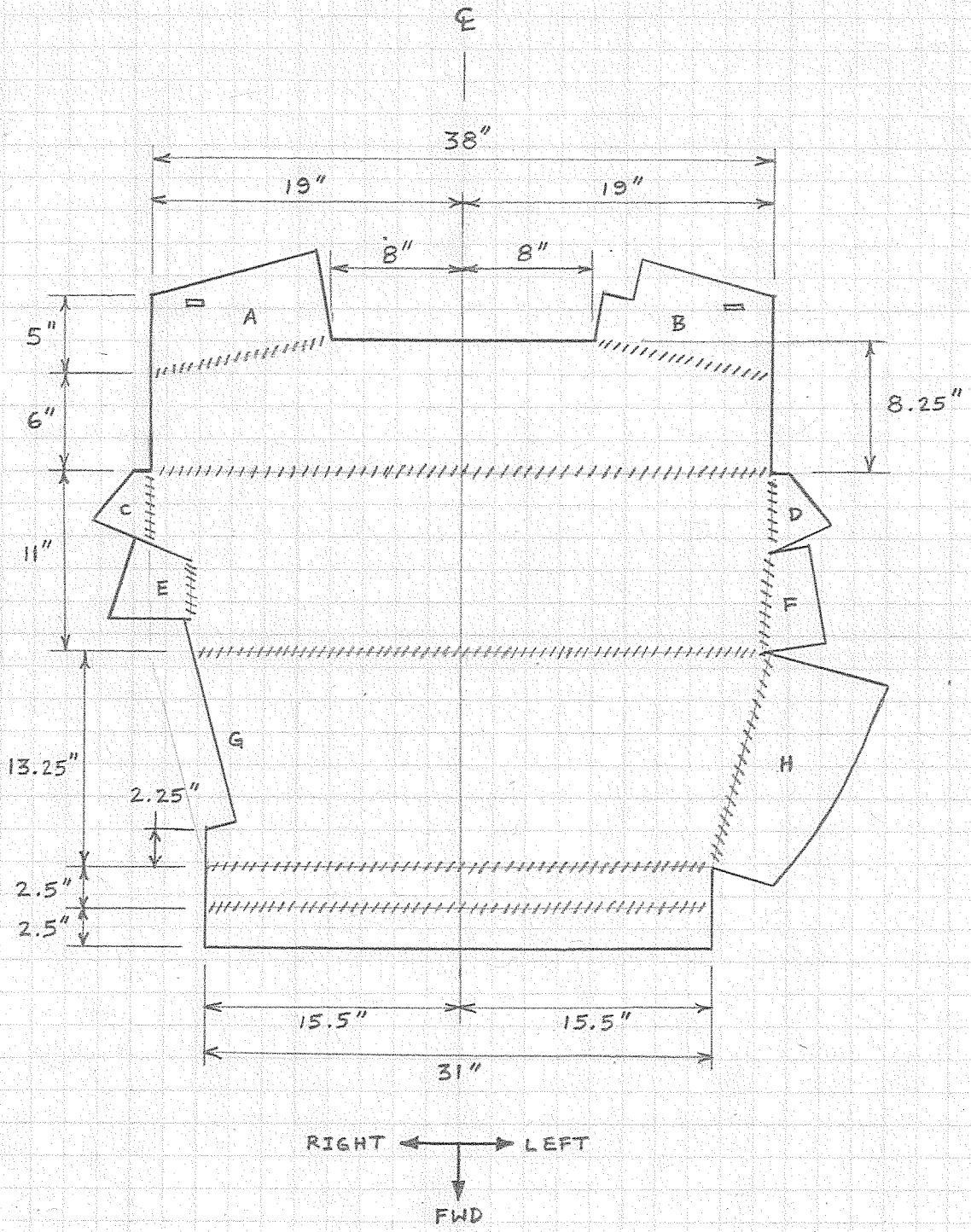
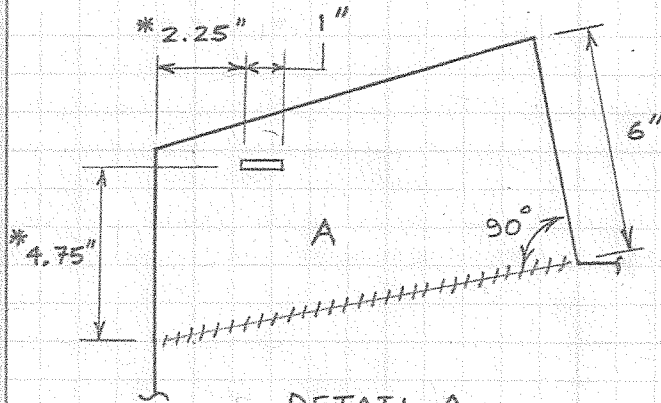


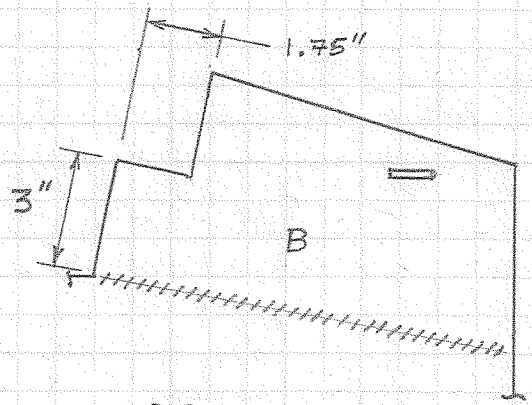
TRUNK LINER TEMPLATE PATTERN FOR
1971 VW STANDARD BEETLE & SIMILAR MODELS



— SOLID LINE = CUT / TRIMMED EDGE
HASHED LINE = FOLDED EDGE / CORNER



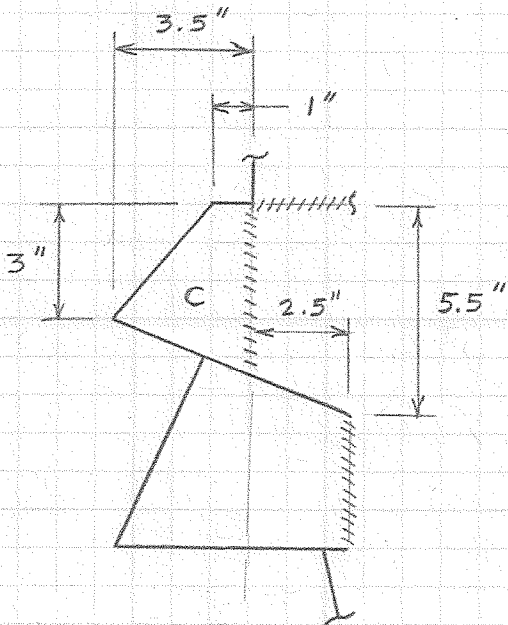
DETAIL A



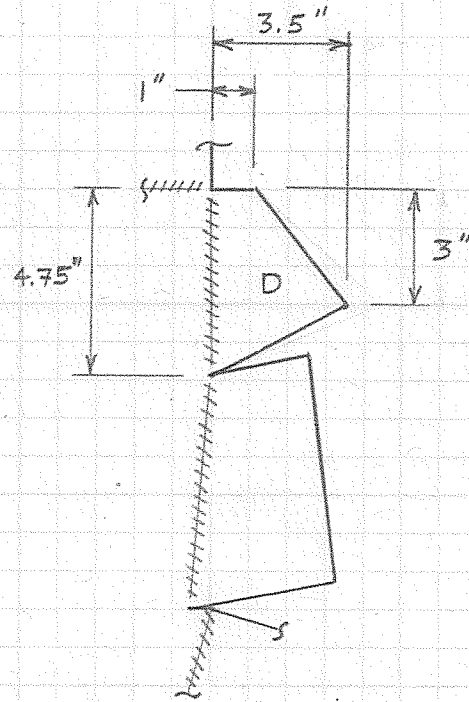
DETAIL B

* NOTE: RECOMMEND VERIFY POSITION OF TABS ON OWN CAR BEFORE LOCATING / CUTTING SLOTS

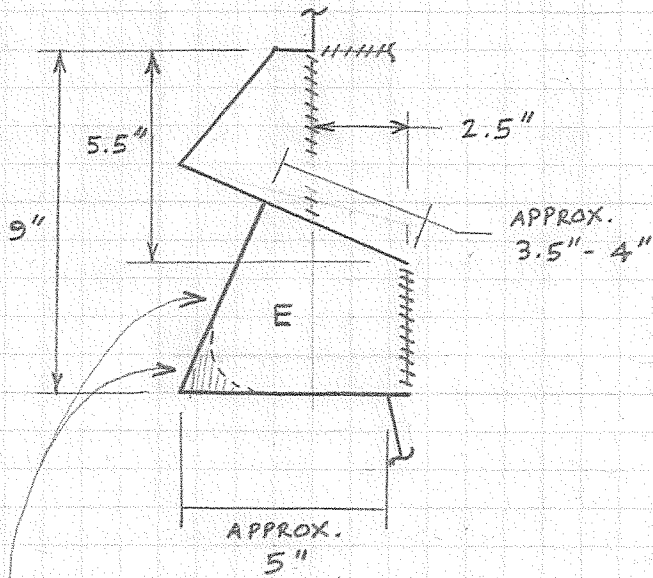
• MIRROR IMAGE OF DETAIL A, EXCEPT AS NOTED



DETAIL C

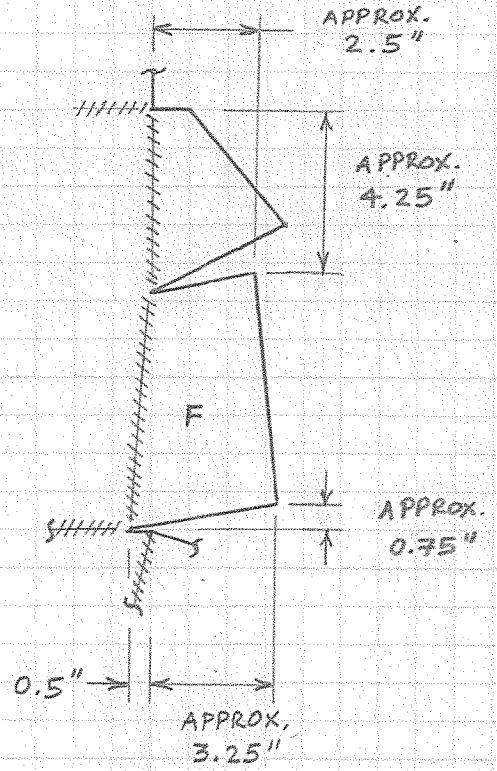


DETAIL D



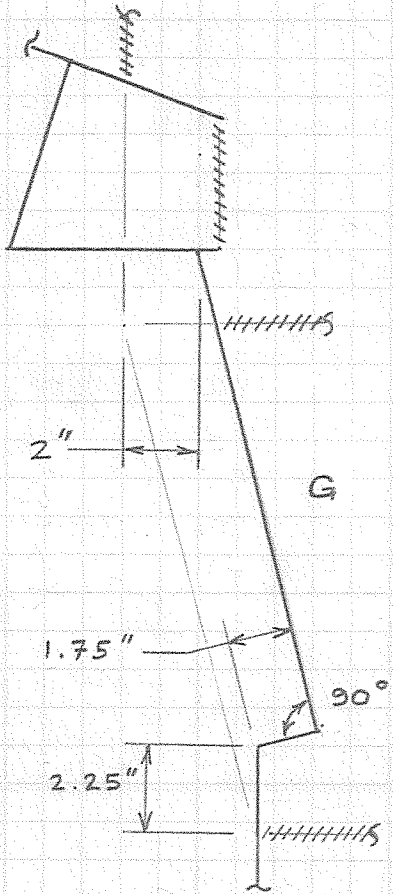
DETAIL E

PRE-FIT AND TRIM EDGE & CORNER TO SUIT / MATCH GAS FILLER HOUSING

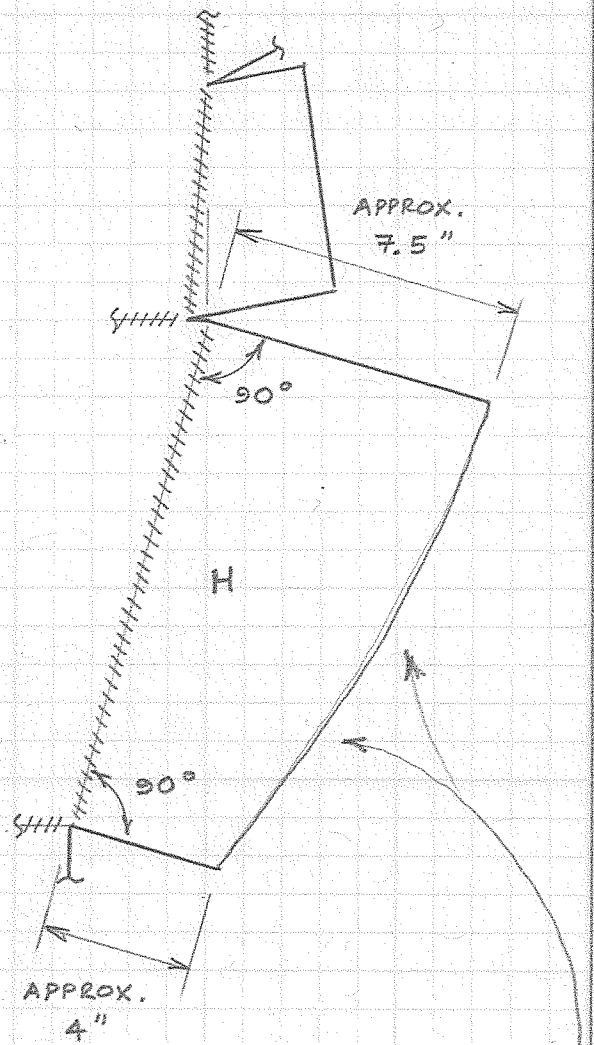


DETAIL F

RECOMMEND PRE-FIT & ADJUST / TRIM DIMENSIONS TO MATE WITH BRAKE FLUID RESERVOIR BRACKET



DETAIL G



DETAIL H

PRE-FIT AND TRACE/TRIM
EDGE TO MATCH CURVATURE
OF TRUNK OPENING / EDGE