

VOLKSWAGEN

MODEL IDENTIFICATION

Before making an estimate or using any prices listed, it is recommended that the vehicle first be identified by the chassis number. Then, referring to the chart listed below, find the model and chassis number.

CHASSIS NUMBER LOCATION

BEETLE, SUPER BEETLE & THING –
On identification plate and on frame tunnel under rear seat.

GHIA –
On frame tunnel under the emergency seat.

FASTBACK-SQUAREBACK –
On frame tunnel under the rear seat.

411 (TYPE 4) –
On identification plate under rear seat between inner seat belt mountings.

TRUCK & BUS –
On engine cover plate under the air cleaner.

DASHER –
In engine compartment on front partition above windshield washer container.

RABBIT & SCIROCCO –
On the suspension strut mounting at right front wheelhouse.

VANAGON –
On plate under vehicle on right side of front crossmember.

JETTA & QUANTUM
In engine compartment on cowl top panel.

ENGINE NUMBER LOCATIONS

BEETLE-SUPER BEETLE-GHIA –
On crankcase at the generator support flange.

FASTBACK-SQUAREBACK –
On the crankcase beside the joint near the oil cooler.

411 (TYPE 4) –
On right hand crankcase half below the breather support.

TRUCK & BUS –
On the crankcase flange under the generator support.

THING –
On crankcase at generator support flange.

DASHER-RABBIT-SCIROCCO –
On left hand side of engine block above fuel pump.

VANAGON –
On right hand crankcase behind fan housing.

JETTA –
On engine block, under glow plug cylinder 3.

STARTING CHASSIS NUMBERS

BEETLE (TYPE 1)					
1968	118000001				
1969	119000001				
1970	110200001				
1971	111200001				
1972	112200001				
1973	113200001				
1974	114200001				
1975	115200001				
1976	116200001				
1977	117200001				
1978	118200001				
SUPER BEETLE (TYPE 1)					
1971	111200001				
1972	112200001				
1973	133200001				
1974	134200001				
1975	135200001				
1976	156200001				
1977	157200001				
1978	158200001				
1979	159200001				
GHIA (TYPE 1)					
1968	148000001				
1969	149000001				
1970	140200001				
1971	141200001				
1972	142200001				
1973	143200001				
1974	144200001				
THING					
1971	181200001				
1972	182200001				
1973	183200001				
1974	184200001				
1975	185200001				
		TRUCK & BUS (TYPE 2)			
		1968	218000001		
		1969	219000001		
		1970	210200001		
		1971	211200001		
		1972	212200001		
		1973	213200001		
		1974	214200001		
		1975	215200001		
		1976	216200001		
		1977	217200001		
		1978	218200001		
		1979	219200001		
		FASTBACK-SQUAREBACK (TYPE 3)			
		1968	318000001		
		1969	319000001		
		1970	310200001		
		1971	311200001		
		1972	312200001		
		1973	313200001		
		411 & 412 (TYPE 4)			
		1969	419000001		
		1970	410200001		
		1971	411200001		
		1972	412200001		
		1973	413200001		
		1974	414200001		
		DASHER			
		1974	3242011947		
		1975	325200001		
		1976	326200001		
		1977	327200001		
		1978	328200001		
		1979	329200001		
		1980	32A000001		
		1981	32B900001		
		RABBIT			
		1975	1753025868		
		1976	176300001		
		1977	177300001		
		1978	178300001		
		1979	179300001 (Imported)		
		1979	1793750050 (Domestic)		
		1980	15A080001 (Imported)		
		1980	17A075001 (Domestic)		
		1981	15B00001 (Imported)		
		1981	17B00001 (Domestic)		
		1982	15C00001 (Imported)		
		1982	17C00001 (Domestic)		
		1983	15D00001 (Imported)		
		1983	17D00001 (Domestic)		
		PICK-UP			
		1980	17A0705001		
		1981	17B00001		
		1982	17C00001		
		1983	17D00001		
		SCIROCCO			
		1975	535200001		
		1976	536200001		
		1977	537200001		
		1978	538200001		
		1979	539200001		
		1980	53A000001		
		1981	53B00001		
		1982	53C00001		
		1983	53D00001		
		JETTA			
		1980	16A000001		
		1981	16B00001		
		1982	16C00001		
		1983	16D00001		
		VANAGON			
		1980	24A00001		
		1981	24B00001		
		1982	24C00001		
		1983	24D00001		
		QUANTUM			
		1982	32C00001		
		1983	32D00001		

VOLKSWAGEN

BODY TYPE NUMBER LOCATION

- BEETLE & SUPER BEETLE** –
On a plate on reinforcement panel in front luggage compartment (behind spare wheel or on front cross panel for model "1301" & "1303")
- 411 (TYPE 4)** –
Under front panel beside the hood lock.
- GHIA-FASTBACK-NOTCHBACK-SQUAREBACK** –
On identification plate in front luggage compartment besides spare wheel.
- TRUCK & BUS** –
On identification plate on partition behind passenger seat.
- THING** –
On identification plate under front panel beside hood lock.
- DASHER** –
On right hand wheelhouse in the engine compartment.
- RABBIT – SCIROCCO – JETTA** –
On the front lock carrier to right of hood lock.
- VANAGON** –
On identification plate on right hand hinge pillar.

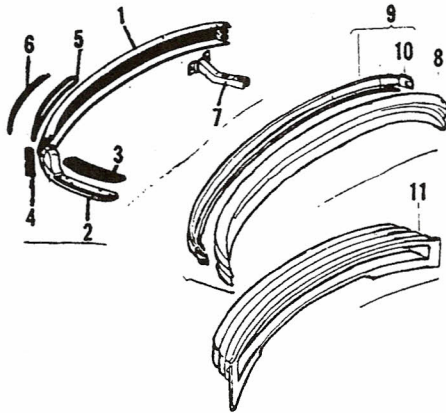
BODY TYPES

BEETLE	111	Standard Sedan			
	113	DeLuxe Sedan			
	115	Standard Sedan, w/sliding Roof			
	117	DeLuxe Sedan, w/sliding Roof			
	151	Convertible			
SUPER BEETLE	To July, 1972 (1302)–				
	113	DeLuxe Sedan			
	117	DeLuxe Sedan, w/sliding Roof			
	151	Convertible			
	From August 1972 (1303) –				
	133	DeLuxe Sedan			
GHIA	141	Convertible			
	143	Coupe			
TRUCK & BUS	211	DELIVERY VAN, Sliding Door Right			
	215	DELIVERY VAN, Sliding Door Right & Left			
	221	MICRO-BUS			
	225	MICRO-BUS, w/sliding Roof			
	231	KOMBI			
	235	KOMBI, w/sliding Roof			
	241	MICRO-BUS "L"			
	251	MICRO-BUS "L" 7 seater			
	261	Pick-Up, Single Cab			
	265	Pick-Up, Double Cab			
	281	MICRO-BUS, 7 Seater			
285	MICRO-BUS, 7 Seater, w/sliding Roof				
FASTBACK	311	Sedan			
	313	Sedan, w/sliding Roof			
SQUAREBACK	365	Variant			
	367	Variant, w/sliding Roof			
411 & 412	421	4-Door Sedan "L"			
	461	2-Door Station Wagon "L" (Variant)			
DASHER	321	2-Door Sedan			
	323	4-Door Sedan			
	331	Station Wagon			
THING	181	4-Door			
RABBIT	171	2-Door Sedan (Imported Version)			
	173	4-Door Sedan (Imported Version)			
	175	2-Door Sedan (Domestic Version)			
	177	4-Door Sedan (Domestic Version)			
	155	2-Door Convertible			
	179	Pick-Up			
SCIROCCO	531	Coupe			
VANAGON	255	Micro-Bus			
JETTA	161	2-Door Sedan	QUANTUM	321	2-Door
	163	4-Door Sedan		327	4-Door
				331	4-Door, Square Back

1979-68 VW BUS & TRUCK

Information in the "GUIDE TO ESTIMATING" pages must be used with the text below to prepare a complete estimate.

FRONT BUMPER



FRONT BUMPER-1968-72

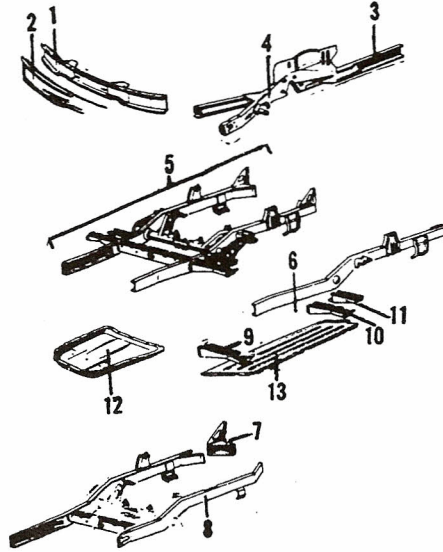
Assembly R&I	0.5		
Overhaul			
w/o guards	1.1		
w/guards	1.3		
Face bar			
1 center	(p.4) 104.05	0.8	21170711B
2 side	(p.4) RT 65.60	0.2	211707114
	(p.4) LT 65.60	0.2	211707113
3 step pad	RT 13.30	0.2	211707292
	LT 13.30	0.2	211707291
4 joint cover (rubber)	D 0.00		211707197
Guard & cushion	D 8.40	0.2	ZVW151812
cushion	D 1.85		ZVW151822
5 Trim midg	68-69 RT D 41.70		241707212B
	68-69 LT D 41.70		241707211D
	70-72 RT D 54.00		241707212C
	70-72 LT D 58.00		241707211E
6 rubber insert	68-70 D 14.00		241707221C
	71-72 D 14.00		241707221C
7 Mounting bracket	RT 16.75		211707136M
	LT 16.75		211707135E

FRONT BUMPER, 1973-79

Assembly R&I	0.5		
Overhaul			
8 Face bar, prime	164.95 # 1.5		211707111J
chrome	461.50 # 1.5		221707111
9 Rubber cush & end caps	71.95		241707221E
10 end caps	8.85		241707219
11 Deformation element	186.45	3.0	211707221

Time is for overhaul.

FRAME



1968-71

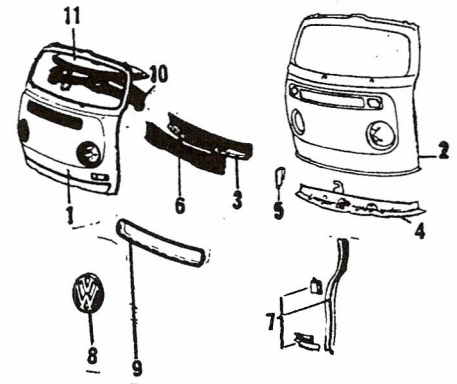
1 Front crossmember	59.60 # 2.5	211703071G	
2 cover plate	33.40	211805257	
3 Sidemember, outer	68-89 RT D150.00 # 10.0	211703022B	
	68-69 LT D150.00 # 10.0	211703021B	
	70-71 RT 249.15 # 10.0	211703022D	
	70-71 LT 249.15 # 10.0	211703021D	
4 inner	RT D132.00 § 6.0	21170304A	
	LT D132.00 § 6.0	21170303A	
5 Rear, assembly	D471.10	211703051C	
6 sidemember, outer	RT D 88.00 # 8.0	211703110A	
	LT D 88.00 # 8.0	211703109A	
7 bracket	D 11.00	211703591	
8 inner	D 48.00 § 4.0	211703459	
9 Outrigger, front	RT 65.45	211703116	
	LT 65.45	211703115	
10 center	65.45	211703119A	
11 rear	9.20	211703163	
12 Cover plate, front	51.90	0.5	211703611H
13 side, under floor	RT 58.55		215703706G
	LT 58.55		215703705G

1972-79

1 Front crossmember	72	59.60 # 2.5	211703071G	
	73-79	96.95 # 3.5	211703611D	
2 cover plate	72	33.40	211805257	
3 Sidemember, outer	72-73 RT	249.15 # 10.0	211703022D	
	72-73 LT	249.15 # 10.0	211703021D	
	74-79 RT	249.15 # 10.5	211703022E	
	74-79 LT	249.15 # 10.5	211703021E	
4 inner	72 RT	D132.00 § 6.0	21170304A	
	72 LT	D132.00 § 6.0	21170303A	
	73-79 RT	188.90 § 6.0	21170304C	
	73-79 LT	188.90 § 6.0	21170303C	
5 Rear assy	72	D471.10	211703051C	
	73-76	D584.00	211703051E	
use separate parts				
6 sidemember, outer	RT	129.35 # 8.0	211703110D	
	LT	129.35 # 8.0	211703109D	
8 inner	RT	88.65	211703460E	
	LT	79.30	211703459E	
crossmember, rear		67.45 † 3.0	211703491B	
gusset plate			211703655B	
9 Outrigger, front		65.45	211703115	
10 center	RT	65.45	211703120A	
	LT	65.45	211703119A	
11 rear		9.20	211703163	
12 Cover plate, front		51.90	0.5	211703611H
13 side, under floor	RT	58.55		215703706G
	LT	58.55		215703705G

After necessary dismantling.
§ After outer rail is removed.
† After all bolted-on parts are removed.

FRONT STRUCTURAL COMPONENTS, GLASS & LAMPS



FRONT PANEL & W/SHIELD

Front panel				
1 wo/air duct	(p.3.7) 68-72	491.90 # 19.5		211805035H
2	(p.3.7) 73-79	491.90 # 19.5		211805035J
w/air duct	(p.3.7)	726.00 # 19.5		211805031AJ
3 reinf, lwr to floor	68-72	D 38.00		211805331D
4	73-79	50.35		211805331F
5 extension	73-79 RT	5.50		211805268
	73-79 LT	5.50		211805267
cover plate	68-72	33.40	0.5	211805257
6 lower plate		71.50		211805269
7 hinge pillar	(p1.0) 68-72	D142.00 § 9.0		211809201F
	(p1.0) 73-79	224.35 § 9.0		211809201E
conn piece, upper		8.20		211809269
lower	72	10.15		211809249B
	73-79	10.15		211809249C
8 Emblem, VW, painted	68-72	37.75	0.2	211853601C
	73-79	9.55	0.2	211853601E
chrome	68-72	D 31.00	0.2	241853601B
	73-79	35.10	0.2	241853601E
Air intake grille	68-72	55.25		211259161
	73-79	38.55		211259163A
9 trim frame		61.90	0.5	241853215
screen	68-79	27.50		211259165A
Windshield				
glass, VW, Clear		169.85 † 1.6		211845101K
Sunshade		426.30 † 1.6		221845101
NAGS, clear		220.25 † 1.6		FCW201C
Sunshade		264.15 † 1.6		FCW201S
rubber chnl	68-71	57.00		241845121B
	72-79	58.00		211845121D
moulding, reveal		10.05		25585345A
joint		1.00		31585309
Mirror, inside	68-69	61.85	0.2	211857501A
	70-71	60.30	0.2	211857501K90V
	72-79	60.30	0.2	211857501J
Wiper arm	68	10.95	0.1	211955407C
	69-72	15.00	0.1	211955409A
	73-79	17.70	0.1	211955409B
blade	68	13.80	0.1	147955425B
	69-72	10.15	0.1	161955425
	73-79	5.20	0.1	176955425A
motor	68-72	189.75	1.0	211955113H
	73-79	172.40	1.0	211955113Q
washer reservoir		27.60	0.4	211955453B
pump		33.00		823955651
INSTRUMENT PANEL				
10 Instrument panel				
padded				
to 2142164060		320.85 † 3.3		211805045F
fm 2146164060		320.85 † 3.3		211805045B041
unpadded				
to 2142164060		D135.00 † 2.1		261805051G
fm 2142164060		146.70 † 2.1		211805051AP
padded strip		120.20	1.1	211857205B041
grab handle		12.00	0.3	211857643B041
plate, top cover		108.95 † 1.6		211805155D
Glove box door		63.85		221857121A041

CONTINUED

1979-68 VW BUS & TRUCK

Information in the "GUIDE TO ESTIMATING" pages must be used with the text below to prepare a complete estimate.

FRONT STRUCTURAL COMPONENTS, GLASS & LAMPS (CONT)

HEADLAMP			
Aim headlamps			0.2
Assy, wo/door & seal beam			
68-73 RT	D 49.55	0.4	211941042
68-73 LT	D 49.55	0.4	211941041
order component parts			
Mtg ring & hsg	RT 38.10		321941045
	LT 50.55		111941045
Door, chrome	RT 22.50	0.1	211941176C
	LT 24.55	0.1	211941175C
silver	RT 22.50	0.1	211941176C
	LT 24.55	0.1	211941175C
Seal beam		12.30	0.2
retaining ring			
chrome		21.50	
silver			
to 2172100001		14.30	111941049
fm 2172100001		14.15	111941049A
PARKING LAMP			
Body	68 RT D 12.00	0.2	211953052E
	68 LT D 12.00	0.2	211953051E
	69-72 RT 21.80	0.2	211953052K
	69-72 LT 21.80	0.2	211953051K
	73-79	58.75	0.2
	68-71 RT 37.75	0.1	211953142J
	68-71 LT 37.75	0.1	211953141J
	72 RT 31.65	0.1	211953142P
	72 LT 31.65	0.1	211953141P
	73-79	15.85	0.1
	68-72	4.85	
	73-79	3.40	
Bulb	68-72	1.10	N0177382
	73-77	1.35	N0177322

Cut in w/shld opng or below opening 15.5. Refinish 3.0.
 \$ After front panel is removed 4.0.
 † With reveal mtdgs, add .2.
 ‡ With air cond add .8.

AIR CONDITIONER & HEATER

With any operation requiring a coolant line disconnect, add .9 to recharge system & add for freon.

AIR COND-1968-69

Condenser, early	68-69	D 69.30	0.7	ZVW217310
late	69	D 126.45	0.7	ZVW217312
hsg, upr, early	68-69	D 16.15		ZVW217307
late	69	D 0.00		ZVW217317
lwr, early	68-69	D 29.35		ZVW217305
late	69	D 0.00		ZVW217318
scoop		D 42.60		ZVW217308
motor, early	68-69	40.80	0.3	ZVW225318
late	69	D 14.70	0.3	ZVW217324
mount, early	68-69	D 1.95		ZVW217320
late	69	D 2.00		ZVW217313
fan, early	68-69	D 2.55	0.3	ZVW217322
late	69	D 0.00	0.3	ZVW217309
screen, early	68-69	D 2.05		ZVW217323
late	69	D 0.00		ZVW217316
Receiver & dehydrator		D 11.70	0.4	ZVW217433
Compressor		D 100.55	0.8	ZVW217102
clutch & pulley	68	D 63.00	0.4	ZVW215130
	69	D 110.00	0.4	ZVW217130
pulley only		D 21.20		ZVW217132
coil		D 22.25		ZVW215131
mounting brkt	68	D 13.30		ZVW217202
	69	D 13.25		ZVW217212
brace, side	68	D 7.50		ZVW217207
	69	D 8.00		ZVW215201
front	69	D 4.15		ZVW215202
Pulley, driving		D 10.60	0.5	ZVW215229
idler	68	D 12.90	0.3	ZVW215235
bracket		D 9.30		ZVW217208
support		D 6.85		ZVW217209
Belt		17.40	0.3	ZVW217221
Hose				
comp to cond		D 45.00		ZVW217402
comp to evap		D 46.00		ZVW217412
cond to dehyd	68	D 12.00		ZVW217404
	69	D 0.00		ZVW217405
dehyd to evap	68	D 15.00		ZVW217408

69	D 28.00		ZVW217403
tube	68	D 1.40	ZVW217406
Evaporator core		D 75.40	0.8
motor		D 15.65	1.1
fan, wheel		D 3.75	ZVW217018
Valve			
expansion		29.75	0.5
comp, high press		9.55	059260865
low press		10.60	059260855
AIR COND-1970-73 TO SER NUMBER 22-301707			
Condenser		D 147.80	0.1
hsg, upper		D 49.70	
motor		53.85	0.3
mount		D 1.50	
fan blade		8.70	0.3
screen, front		D 37.90	
rear		D 13.60	
Receiver-dehyd		31.10	0.4
		31.10	0.4
Compressor		303.45	0.8
clutch & pulley		D 63.00	0.4
pulley only		88.80	
coil		D 22.25	
mounting brkt	70	D 13.25	
	71	D 16.80	
	72-73	D 45.00	
brkt, side	70	D 8.00	
	71	D 10.05	
	72-73	D 14.15	
front	70	D 4.15	
	71	9.75	
Pulley, driving	70-71	D 11.85	0.5
	72-73	21.40	0.5
belt	70	D 16.10	0.3
	71	20.10	0.3
	72-73	18.55	0.3
Hose, comp to cond	70	D 36.00	
	71	D 28.00	
	72-73	D 30.00	
comp to evap	70	D 67.00	
	71	D 50.00	
	72-73	D 55.00	
cond to dehyd	71-72	D 0.00	
	72-73	D 0.00	
dehyd to evap		D 27.00	
Evaporator core	70-71	D 126.45	0.8
motor		D 35.70	1.1
fan, wheel		D 25.60	
Valve, expansion		34.25	0.5
comp, high pressure		9.55	
low pressure		10.60	

AIR COND-1973-79, FROM SERIAL NUMBER 22-301707

SEE PREVIOUS SECTION EXC			
Condenser, front		52.60	
	76-79	106.80	ZVW432336
rear		68.10	
	76-79	115.35	ZVW432310
housing, upper, rear		D 22.50	ZVW402302
motor, each		53.85	ZVW227318
mount		8.80	ZVW402324
fan blade, each		8.70	ZVW216312
screen, front		D 28.60	ZVW402332
rear		D 40.10	ZVW402311
Receiver & dehydrator		31.10	0.4
HEATER 44-47-50 B.H.P.			
Heat exchanger		130.00	1.5
hose, to fan housing		6.00	043255106F
warm air, front		39.00	028129087A
Pipes, rear section			
fork piece	68-72	24.55	211255755C
	73-79	57.00	211255755F
rear of fork	68-71 RT	D 19.55	211255766F
	68-71 LT	D 19.55	211255765F
front of fork	68-72	17.30	211255785A
	73-79	58.20	211255785F
Pipes, front section			
warm air cond	68	D 2.20	211255477
	69-72	20.75	211255477A

73-74	6.70		211255477B
vent, upper	68	D 3.45	211255475
	69-72 RT	10.75	211255476A
	69-72 LT	D 9.65	211255475A
	73-74	10.20	211255475B
distributor		61.65	221255881D
elbow	68-75	21.25	211255805B
	76	13.75	211255805C
front		25.15	211255815B
center		39.60	211255825B
rear	68-72	D 21.00	221255795
	73-79	29.20	211255795

62-66-68 B.H.P. SEE PREVIOUS SECTION EXC

Heat exchanger			
62 & 66 BHP	260.20	1.5	021256091M
68 bhp	260.20	1.5	021256091J
conn pipe, hot air	RT 20.15		021256332A
	LT 19.35		021256331A
elbow	RT 24.95	0.6	021256052B
	LT 24.95	0.6	021256051B
heat control box	RT 55.05	0.6	021256206K
	LT 55.05	0.6	021256205K
warm air hose		39.00	211255387
bracket, rear	RT 8.90		021256304A
	LT 1.60		021256303B

70 BHP

Models wo/catalyst			
heat exchanger	68-74	260.20	021256091M
	75	260.20	021256091T
control box	RT 55.05		021256206K
	LT 55.05		021256205K
elbow, front		39.60	021256051C
conn pipe to fan	68-74	20.15	021256332A
	75-77	20.15	021256332B
flex hose		39.00	211255387
Models w/catalyst			
heat exchanger		260.20	021256091T
pipe, exhaust		220.55	021251551
afterburner		197.00	021251201
control box		55.05	021256205K
elbow, front		39.60	021256051C
conn pipe to fan		20.15	021256332B
flex hose		39.00	211255387

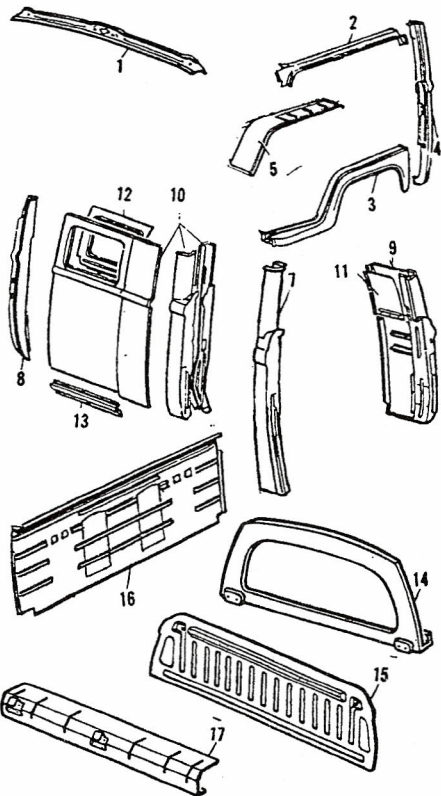
The times listed are based on new, undamaged O.E.M. parts installed on new undamaged vehicles as an individual operation. Add for alignment pulls and refinishing as required.

F413

1979-68 VW BUS & TRUCK

Information in the "GUIDE TO ESTIMATING" pages must be used with the text below to prepare a complete estimate.

CAB ASSEMBLY



VAN			
Rails			
1 front, above w/shld	29.15 # 1.8	211805283A	
2 side, above door	65.80 # 2.0	211817518D	
	65.80 # 2.0	211817517D	
3 Rocker panel			
(p1.0) 68-71 RT	184.50 # 5.0	211809502B	
(p1.0) 68-71 LT	184.50 # 5.0	211809501B	
(p1.0) 72 RT	221.05 # 5.0	211809502C	
(p1.0) 72 LT	221.05 # 5.0	211809501C	
(p1.0) 73-79 RT	221.05 # 5.0	211809502D	
(p1.0) 73-79 LT	221.05 # 5.0	211809501D	
4 Lock pillar			
RT	164.60 † 5.5	241809252	
LT	164.60 † 5.5	241809251	
5 Wheelhouse			
68-71 RT	D 45.00 † 3.5	211801326L	
68-71 LT	D 32.75 † 3.5	211801325L	
72-79 RT	80.70 † 3.5	211801326P	
72-79 LT	80.70 † 3.5	211801325P	
PICK-UP, SEE VAN, EXC			
Rails, side above door			
6 single cab	RT 59.55 # 2.0	261817518B	
	LT 59.55 # 2.0	261817517B	
double cab, front	RT 65.80 # 2.0	211817518D	
	LT 65.80 # 2.0	211817517D	
rear	28.35	265817536D	
Lock pillar			
7 single cab	(p1.0) RT 172.80 † 5.0	261809252G	
	(p1.0) LT 172.80 † 5.0	261809251F	
8 double cab	(p1.0) RT 172.80 † 5.0	265809252	
	(p1.0) LT 164.60 † 5.0	265809251	
9 Corner pnl, otr			
(p2.8) RT	324.05 11.0	265809074B	
(p1.5) LT	381.40 14.0	265809073C	
10	RT 20.05	265809094	
11	LT 68.05	265809405A	
12	LT 25.85	265809585C	
Sill, below pnl			
Back panel			
4 upper	(p1.0) 122.80	261805421D	
5 center	68-71 D 74.00	261805431B	
	72-79 D 37.50	261805431C	
6 lower	D 121.15	261801081H	
7 x-mbr btwn upr & ctr	25.85	261805441C	

glass, w/o heated	D 46.00	1.2	261845501D
w/ heated	217.25	1.2	261845495C
weatherstrip	34.30		261845521A
* After roof panel is removed.			
† With hinge or lock pillar removed 3.5.			
‡ After side panel is removed 2.5.			
§ After outer panel is removed.			

FRONT DOOR

SINGLE CAB			
Assembly R & l		0.8	
Door w/hinges (p2.5)	469.35 # 3.0		211831056
W'strip around door	63.45	0.3	211831721D
Moulding			
side front (d.2)	D 5.00	0.2	241853511B
rear (d.1)	D 10.00	0.1	241853515
window reveal	68-73 61.60		211853321
	74-77 61.60		211853321B
Mirror, outside, std			
pick-up, long top	20.85	0.2	211857513H
		0.3	261851513A
Glass, clear			
tinted	68-79 100.80	1.2	221845201B
sash channel	5.15		221845201A
regulator	45.15	0.7	211837571A
Vent frame & w'strip			
glass w/channel & handle			
clear	112.15		211837801A
tinted	150.70		221837801A
glass only, clear	32.60	0.8	211845251D
tinted	46.05	0.8	221845251
Handle w/cyl & keys	68 76.95	0.5	211837205J
	69-77 69.25	0.5	211837205N
Lock	68 D 27.00	1.4	211837015E
	69-73 36.30	1.4	211837015G
	74-77 36.30	1.4	211837015H
striker	9.10	0.3	211837295D
cylinder & keys	68 26.80	0.6	211837217F
	69-77 25.55	0.6	211837217H
Hinge, cab half			
to 2152153713	21.35		211831405A
fm 2152153713	14.70		211831405B
fm 2162126632	13.90		261831405
Check strap	30.40	0.5	211837249A
Reflector			
to 2162090464	10.90	0.1	211945119A
fm 2162090464	10.90	0.1	211945119B
seal	7.75		211945161

DOUBLE CAB

Rear door			
w/hinge (p2.5)	386.55 # 2.2		265841082K
W'strip around door	45.15	0.7	265841818A
lower, on body	23.40	0.7	265841819A
Stationary glass			
rear	68-71 24.75	0.8	265845301B
	72-79 49.05	0.8	265845315A
w'strip	D 15.00		265845321
Vent assembly			
glass only, clear	87.55	1.2	224847632
tinted	17.45	0.3	221845291B
	25.55	0.3	221845291A
weatherstrip	45.85		265847673A
Handle, see cab door			
Lock	68 D 20.60	0.4	265841606
	69-79 41.10	0.4	265841606A
striker	9.10		211837296B
Check strap	7.60	0.2	265841387
Front, reflector			
68, see side assy			
see cab door			
* Paint time is for inner & outer.			

SEAT TRACKS

Seat track			
outer	68-76 D 17.00		211801343B
	77 10.00		211801345E
inner	68-76 D 9.00		211801346D
	77 10.00		211801345F

ELECTRICAL

GENERATOR & REGULATOR

Generator assembly			
to eng B1037106	1.0		113903031PV

fm eng B1037106	1.0		211903031DV
pulley			
to eng B1037106	15.65	0.3	043903109
fm eng B1037106	38.75	0.3	211903109
belt	2.85	0.3	111903137D
support	115.45		113101211G
Voltage regulator			
to eng B1037106	24.95	0.4	113903803E
fm eng B1037106	27.05	0.4	211903803E

ALTERNATOR & REGULATOR

Alternator assy			
55 amp	1.0		021903023FV
70 amp	1.0		021903023EV
pulley, 55 amp alt	23.20	0.3	022903109A
70 amp alt	45.20	0.3	022903109
belt	5.70	0.3	021903137A
Voltage regulator	41.90	0.4	043903803B

DISTRIBUTOR & IGNITION

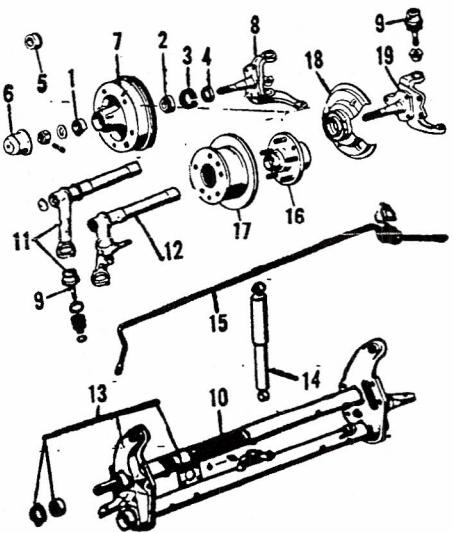
Dist assy, 4447 BHP			
225.80	0.4		111905205AA
50 BHP D208.00	0.4		211905205Q
62 BHP	283.65	0.4	021905205Q
66 BHP	313.60	0.4	021905205E
68, 70 BHP	261.95	0.4	021905205S
cap, exc	7.15		113905207C
4447 BHP	5.15		111905207C

Ignition coil			
w/o emission control	23.10	1.4	043905115C
w/emission control	23.10	1.4	043905115C
switch only			
to 2142164060	19.00		111905865F
fm 2142164060	21.25		111905865L
cylinder & key	68-70 25.45	0.5	211905853A
	71-79 23.25	0.5	211905855C

HORN

Horn	10.55	0.3	111951113B
------	-------	-----	------------

WHEELS & FRONT SUSPENSION



Wheel alignment	1.0		
Toe-in, adjust	0.5		
Suspension, overhaul	7.0		

WHEELS

Wheel (p.5) 68-70	100.85 # 0.3		211601027F
(p.5) 71-79	65.80 # 0.3		211601027H
Hub cap	68-70 21.65		111601151
	71-79 13.90		251601151
chrome	68-70 34.70		113601151
	71-79 29.20		251601151A
Trim ring	D 24.00		241601155B

Bearing, front wheel			
1 bearing, outer	9.50	0.6	211405645D
2 inner	14.80	0.6	211405625

CONTINUED

1979-68 VW BUS & TRUCK

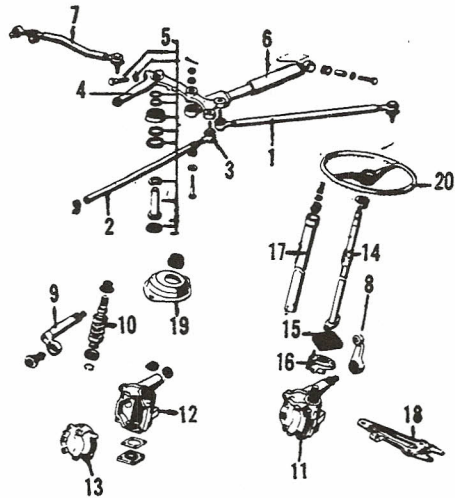
Information in the "GUIDE TO ESTIMATING" pages must be used with the text below to prepare a complete estimate.

WHEELS & FRONT SUSPENSION (CONT)

3	oil seal spacer	8.30		211405641D
4	w/o disc brake	D 6.30		211405631A
5	w/disc brake	18.40		211405631B
6	grease cap	3.80		211405691B
FRONT SUSPENSION DRUM BRAKE				
7	Hub & drum	D213.00	0.8	211405615C
	Brake support plate	161.60	1.3	211609139C
	hose	37.10	0.8	211611703
8	Steering knuckle & arm	D177.00	1.4	211405311C
9	ball-joint, 48.3 mm	36.60	0.8	211405371A
	48.6 mm	88.75	0.8	211405373
10	Torsion bar (spring) arm & ball-joint	273.10	2.7	211411033E
11	upper	RT 279.25	0.8	211405102A
		LT 279.25	0.8	211405101B
12	lower	RT 332.20	0.8	211405152
		LT 260.45	0.8	21140511E
13	Axle beam	68-69 786.00 ‡	2.5	211401061K
		70-79 786.00 ‡	2.5	211401061N
14	Shock, standard	68-69 48.40	0.4	211413031F
		70-79 55.40	0.4	211413031P
	heavy duty	68-69 84.10	0.4	211413031G
		70-79 84.10	0.4	211413031R
	adjustable	68-79 174.65	0.4	211413035
15	Stabilizer bar	94.40	0.6	211411309A
FRONT SUSPENSION DISC BRAKE SEE DRUM BRAKE, EXC				
16	Hub	121.70	0.8	211405579
17	Brake disc	68-72 147.80	0.4	211615301A
		73-79 115.90	0.4	211615301B
	caliper, wo/pads	71-72 RT 215.30	0.8	211615107
		71-72 LT 215.30	0.8	211615108
		73-79 149.20	0.8	211615107B
	Girling	149.20	0.8	211615107B
18	splash shield	RT 20.30		211405593
18		LT 20.30		211405593
	hose	28.90	0.8	281611775B
19	Strg knuckle & arm	68-72 RT 332.00	1.4	211405312E
		68-72 LT D281.70	1.4	211405311E
		73-79 RT 332.00	1.4	211405312F
		73-79 LT 332.00	1.4	211405311F
	Shock absorber, std	55.40	0.4	211413031P
	heavy duty	84.10	0.4	211413031R
	adjustable	174.65	0.4	211413035

Add for balance, weights & valve stem.
 § Time is for one, both .8.
 ‡ Time is to R & L tube assy. To overhaul, add 4.5.

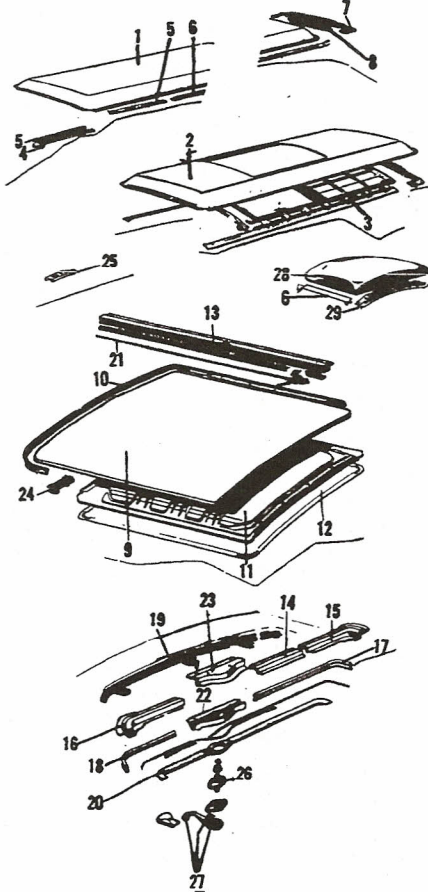
STEERING



1	Tie rod assy	RT 44.50	0.4	211415801F
2		LT 44.50	0.4	211415801F
3	end	21.05	0.3	311415811C
4	Intermediate arm	112.85	1.0	211415741D
5	shaft package	55.25		211498171A
6	Damper	17.90	0.5	211425021A
7	Drag link	57.55	0.9	211415701G
8	Pitman arm	68-72 107.85	0.5	211415371B
		73-77 78.90	0.5	211415371C
9	shaft & cam	68-69 D139.00		211415221D
		70-72 185.55		211415221F
	use gear assembly	73-79		211415205F
10	worm	68-72 265.95		211415049F
	use gear assembly	73-79		211415049H
11	Gear assembly	68-72 588.00 #	1.7	211415049F
		73-79 588.00 #	1.7	211415049H
12	housing, use assy		§ 3.5	211415131B
13	end cover	68-72 D 32.00		211415131B
STEERING COLUMN & WHEEL				
14	Main shaft	68-74 126.35	0.7	211415501A
	to 2142164060	72-74 120.55	0.7	211415501C
	fm 2142164060			211415417
15	coupling disc	11.65		211415409
16	flange, lower	53.20		211415561
17	Column jacket	68-69 D 38.00	1.3	211415561A
		70-71 D 42.75	1.3	211415561C
	to 2142164060	72-74 57.65	1.3	211415451
	fm 2142164060	74-79 54.05		211415601F
18	brkt, at inst panel	D 15.00		211415621
19	cap, lower	6.90		211415651D
20	Wheel, to 2142164060	153.25	0.4	211415651D
	fm 2142164060	160.30	0.4	211415651G043

With air cond, add .7.
 § Time is for overhaul. With air cond, add .7.

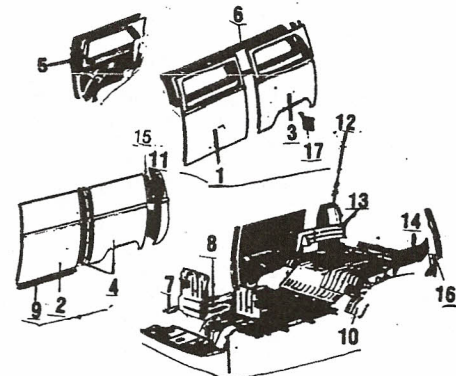
ROOF



		WAGON & VAN			
	Headlining R & I			7.3	
Roof panel					
1	solid roof (p5.0)	557.00	# 21.0	211817111G	
2	sliding roof (p4.7)	678.00	28.5	241817111G	
	enlarged (plastic)	2264.00		211817111K	
3	Frame, sliding roof rail above slide door	770.00	§ 6.0	241817201	
4	guide	41.35	§ 1.8	211809904A	
5	channel	7.20		211809908A	
6	above body side	R&L 35.95	§ 3.5	211817537D	
7	rear	44.50	§ 2.3	211817565G	
8	cover plate	68-70 D 17.50		211817569	
		70-77 28.60		211817569B	
SLIDING ROOF SECTION (FIG K)					
9	Sliding panel	464.30	0.7	241877071	
10	Weatherstrip	72.35	0.5	241877223	
11	Frame	92.10		241877259	
12	Lining	67.50	0.8	241877505A581	
13	Guide rail, side	R&L 91.50		241877355	
Cable channel					
14	upper center	3.00		241877361	
15	side	RT 3.75		313877365A	
		LT 6.70		241877365	
16	lower	RT 54.30		241877364	
17		LT 41.55		241877363	
18	Rain gutter	18.60		241877523	
19	Gasket, front	12.00		241877415A	
20	Guide, w/cable	RT 51.80		241877306	
		LT 48.60		241877305	
21	housing, front	13.40	0.6	241877369	
22	cover	4.75		241877375	
23	Guide, front	R&L 3.90		241877481	
24	rear	4.45		241877541	
25	Winding gear	32.55	0.4	241877403	
26	Handle	7.40	0.2	161877453	
PICK-UP					
28	Roof panel	w/o double cab. (p2.8)	416.25	13.0	261817111G
		w/double cab (p3.3)	693.00	16.0	265817111G
29	Rail, above back panel	27.80	§ 2.0	261817575C	

Station wagon 27.5
 § After roof panel is removed.

BODY SIDE PANELS



		Side panel, outer front		
1	bus & truck (p3.0)	LT 367.75	19.0	231809151
2	van (p2.8)	386.25	17.5	211809151
		rear		
3	bus & truck (p3.0)	68-70 D411.35	22.0	241809164
		71 D469.00	22.0	241809164A
		(p3.0) 72-76 702.00	22.0	211809164G
		(p3.0) 77-79 670.00	22.0	221809164A
4	van (p2.8)	68-70 D439.00	20.0	211809164
		(p2.8) 71 D525.00	20.0	211809164C
		(p2.8) 72-79 702.00	20.0	211809164G
		rear		
	bus & truck (p3.0)	68-70 670.00	19.0	241809163

CONTINUED

The times listed are based on new, undamaged O.E.M. parts installed on new undamaged vehicles as an individual operation. Add for alignment pulls and refinishing as required.

1979-68 VW BUS & TRUCK

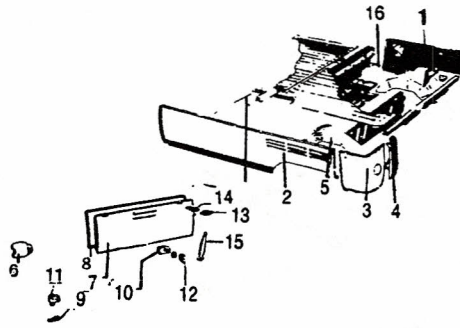
Information in the "GUIDE TO ESTIMATING" pages must be used with the text below to prepare a complete estimate.

BODY SIDE PANELS (CONT)

van	(p3.0) 71-79	670.00	19.0	221809163
lwr section	(p2.8) 68-79	613.00	18.0	211809163C
	(p1.6) 68-70 RT	D181.75		224809178E
	(p1.6) 68-70 LT	D181.75		224809177E
	(p1.6) 71-79 RT	270.45		221809180
5 Inner, wndo opng		RT 71.50		221809406C
6		LT 162.20		221809403B
Midg, front	(d.2)	LT 14.00	0.2	241853535
rear		R&L D 17.00	0.2	241853537
on cab lock pillar		D 2.00	0.2	241853521A
Reflector, front		D 11.00	0.1	211945555
rear		D 12.00	0.1	211945557
seal		D 1.50		211945559
Door, gas filler	68-71	D 15.00	0.2	211829055
	72-79	20.05	0.2	211829605C
Cover, sliding dr chnl	LT	65.10	0.7	211843797A
rubber bead		2.50		281843799
clamp strip		D 6.00		211843818
7 Lower runner				
sliding door		78.80 #	2.3	211801672D
8 Sill panel				
below sliding door		20.30		211809586
9 below fr side pnl.	LT	21.35		211809585C
10 Wheelhouse, rear	68-70	D 89.00	3.0	221801561G
	71	D 98.00	3.0	221801561H
	72-79	150.30	3.0	221801561J
cover plate		5.85		211813363
CORNER PANEL				
11 Panel, outer	(p2.2) 68-72 RT	180.95	11.5	211813356M
	(p2.2) 68-72 LT	D145.00	11.5	211813355L
	(p2.2) 73-79 RT	175.70	11.5	211813344C
	(p2.2) 73-79 LT	175.70	11.5	211813343C
12 inner upper	68-71 RT	D 37.00		211813402
	68-71 LT	D 37.40		211813401
	72-79 RT	53.40		211813402B
	72-79 LT	53.40		211813401B
13 lwr right	68-71 RT	D 44.90		221813240S
	68-71 LT	D 44.90		221813239S
	72-79 RT	68.45		221813240K
14	68-71 LT	D 52.30		221813239S
	72-79 LT	79.85		221813239R
15 air deflector plate	68-71	D 5.65		211813379
	72-79	13.90		211813379B
Engine cover plate				
	68-71 RT	26.75		211813162N
	68-71 LT	D 15.00		211813165H
	72-79 RT	23.95		211813162M
	72-79 LT	20.05		211813165N
Pillar				
16 door opng	(p1.0) 68-71	D 71.00	> 3.0	211813421K
	(p1.0) 72-79	91.10	> 3.0	211813421P
Moulding	(d.1)	D 9.00	0.2	241853541D
17 Mud flap	68-71	D 19.00	0.2	271821811
	72-79	30.05	0.2	271821811A
GLASS, LEFT SIDE TO CH. 2142300000				
Glass, front, clear		98.10	1.1	221845301D
tinted		128.95	1.1	221845301E
w/vent wndo, clear		69.25	1.1	221845281D
tinted		D 81.00	1.1	221845281C
Glass, rear, clear		77.95	1.1	221845333D
tinted		D 89.00	1.1	221845333C
W'strip, front		46.50	1.1	241845321B
rear		D 30.00	1.1	241845343B
GLASS, LEFT SIDE FROM CH. 2152000001				
Glass, front, clear		98.10	1.1	221845301D
tinted		128.95	1.1	221845301E
w/vent, clear		69.25	1.1	221845281D
tinted		D 81.00	1.1	221845281C
Glass, rear, clear		77.95	1.1	221845333D
tinted		D 89.00	1.1	221845333C
W'strip, front or rear		37.15	1.1	221845321C
Vent glass & frame, front, rear		87.55	0.7	224847631
glass only, clear		17.45	0.8	221845291B
tinted		25.55	0.8	221845291A
weatherstrip		32.45		221847673A
lock arm w/knob		14.70		221847681

Moulding, reveal				
front, w/vent, front		D 1.40		241853333
rear		D 9.00		241853331
corner		D 8.80		241853341
w/vent, joint		D 6.00		241853345
rear, w/vent, front		D 1.40		315853309
rear		D 10.20		241853333
corner		D 8.80		241853353
GLASS, RIGHT SIDE TO CH. 2142300000				
Glass, rear, clear		96.35	> 1.1	221845331D
tinted		144.25	> 1.1	221845331C
weatherstrip		40.80		244845341B
Moulding, front		D 6.00		241853345
rear		D 8.30		241853348
joint cover		1.00		315853309
GLASS, RIGHT SIDE FROM CH. 2152000001				
Glass, rear, clear		96.35	> 1.1	221845331D
tinted		144.25	> 1.1	221845331C
weatherstrip		38.60		221845321B
Moulding, see to ch. 2142300000				
SIDE MARKER LAMP				
Rear body		14.65	0.2	211945351A
Lens				
to 2162090464		11.45		211945363A
fm 2162090464		11.45		211945363B
bulb		1.40		N0177172
# Time is with door removed.				
§ After outer panel is removed.				
† Time is for van, 13.0 for sw.				
‡ With chrome trim mldg. add. 2.				
> After corner panel is removed.				

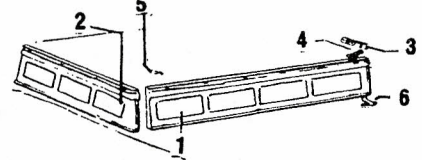
PICK UP BOX



SINGLE CAB

Outer panel					
1 on bed	(p2.0) 68-70 RT	D 55.40	11.0	261809044	
	(p2.0) 71-79 RT	D 54.05	10.0	261809044C	
	(p1.5) 68-70 LT	D 120.95	13.0	261809041E	
	(p1.5) 71-79 LT	340.85	13.0	261809041H	
2					
3 corner					
w/o b'up lmp	(p.6) 68-71 RT	D 138.15	6.0	261813356M	
	(p.6) 68-71 LT	D 138.15	6.0	261813355L	
w/b'up lmp w/b		68-71 RT	D 120.00	6.2	261813366N
	w/b 68-71 LT	D 100.00	6.2	261813355N	
	(p.6) 72 RT	D 103.00	6.0	261813344	
	(p.6) 72 LT	D 109.00	6.0	261813343	
	(p.6) 73-79	144.55	6.0	261813343C	
4 Pillar eng dr	(p.5)	D 27.40	# 2.0	261813418B	
5 Wheelhouse, rear	68-70 RT	D 84.00	3.0	221801562N	
	68-70 LT	D 89.00	3.0	221801561G	
	71 RT	D 105.00	3.0	221801562H	
	71 LT	D 98.00	3.0	221801561H	
	72-79 RT	150.30	3.0	221801562R	
	72-79 LT	150.30	3.0	221801561J	
6 Door, gas filler	68-71	D 15.00	0.2	211829605	
	72-77	20.05	0.2	211829605C	
7 Lid, front	(p1.0) 68-76 RT	235.75	0.7	261829061E	
	(p1.0) 77-79	235.75	0.7	261829061E	
8 weatherstrip		46.55		261829571	
9	68	66.45	0.3	261829561B	
10	69-79	66.45	0.3	261829561C	

11	striker			211829221B	
12	handle	69-79	8.10	261829067A	
13	hinge	R&L	12.50	0.3	261829551
14	weatherstrip		1.30	261829573	
15	spring		10.05	245827401	
16	Sill, below lid panel		23.30	261809586	
DOUBLE CAB SEE, SINGLE CAB, EXC					
Outer panel					
1	on bed	(p2.0) 68-70 RT	D 91.00	12.0	265809044
2		(p2.0) 68-70 LT	D 202.00	12.0	265809041C
		(p2.0) 71-79 RT	288.90	12.0	265809042D
		(p2.0) 71-79 LT	288.90	12.0	265809041H
# After side panel is removed.					
§ With hinge or lock pillar removed 3.5.					
† After outer panel is removed.					



DROP PANELS

Assy, side					
1	w/o double cab	(p2.6)	651.00	# 0.6	261829051D
	w/double cab	(p2.0)	561.00	# 0.6	265829051C
2	rear	(p1.8)	D 391.00	# 0.5	261829055E
3	Hook, front		R&L 46.55	0.2	261829453B
	rear		46.55	0.2	261829473B
4	eye, side		18.85	0.2	261829447
5	rear		12.45	0.2	261829445
6	Hinge, each		18.00	1.0	261829361
# Paint time is for inner & outer.					

SIDE LOADING DOOR

Assembly R&I				
Door				
bus & truck	(p2.5) 68-73	D 582.00	3.5	221843106F
	(p2.5) 74-79	728.00	3.5	221843106G
van				
w/o ext roof	(p2.5) 68-73 RT	626.00	3.5	211843106J
w/ext roof	(p2.5) 68-73 RT	D 944.00	3.8	211843106K
	(p2.5) 74-79 RT	626.00	3.5	211843106P
all	(p2.5)	LT 626.00	3.5	214843105E
Weatherstrip		75.40	0.6	211843792B
Moulding, side	(d.2)	D 15.00	0.2	241853532A
wndo reveal, rear	68-71	D 9.00		241853331
	72-79	D 10.20		241853353
front	68-71	D 1.40		241853333
	72-79	1.60		241853333B
corner		D 8.80		241853341
GLASS & HARDEWARE				
Glass, clear		69.25	0.8	221845281D
tinted	68-79	D 81.00	0.8	221845281C
rubber channel		D 27.00		241845285B
division bar		12.65		221847659
Ventilator frame		21.15	0.7	221847655
rubber channel		32.45		221847673A
glass & channel				
clear		103.10	0.7	224847632A
tinted		124.80	0.7	221847632B
glass only, clear		17.45	0.8	221845291B
tinted		25.55	0.8	221845291A
arm, w/knob		14.70		221847682
Handle, outside				
w/cyl & key	68-73	60.60	0.2	211843703H
w/o cyl & key	74-79	28.35	0.2	211843703P
cylinder & keys	68-70	26.30	0.3	211843709D
	71-73	26.30	0.3	211843709E
	74-79	24.85	0.3	211843710
Lock, front				
bus & truck	68-70	104.15	0.5	221843654
	71-73	104.15	0.5	221843654B
	74-79	104.15	0.5	221843654A
van	68-70	D 113.00	0.5	211843654D
	71-73	164.80	0.5	211843654F

CONTINUED

1979-68 VW BUS & TRUCK

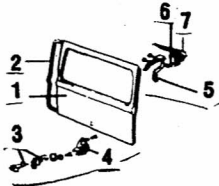
Information in the "GUIDE TO ESTIMATING" pages must be used with the text below to prepare a complete estimate.

SIDE LOADING DOOR (CONT)

Lock, rear	74-79	51.70	0.5	211843654J
	68-70	D 53.00	0.5	211843604B
	71-73	57.15	0.5	211843604E
	74-79	57.15	0.5	211843604D
van w/ext roof		D 21.45	0.5	211843604C
Hold open catch				
on door		52.35		211843444A
on body		57.65		211843740A
protective plate				
front		2.70		221843698B
rear		2.70		221843698B
Hinge, rear		190.45	# 0.2	281843336A
support				
to 2162030413		48.50		211843340A
fm 2162030413		48.50		281843342
Roller guide				
upper, bus & truck		17.65	0.3	211843436B
van w/ext roof		D 7.50	0.3	211843436A
plastic cover		1.60		211843486A
lower	68-79	77.80	0.4	211843406E

After door is removed.

REAR LOADING DOOR



Assembly R&I		0.5		
1 Door, w/o				
w/wdws	(p.2.5) 68-71	D338.00	# 1.5	211829105R
w/wdws	(p.2.5) 68-71	D230.80	# 2.0	211829105Q
all	(p.2.5) 72-79	369.85	# 2.0	211829105AK
2 W'strip around door				
	68-71	63.25		211829193C
	72-79	63.25		211829193E
Moulding, ctr	(d.2)	21.95	0.2	241853551C
window, reveal	R&L	10.05		255853345A
joint		1.00		311853309B
Name plate, volkswagen		13.35	0.2	311853687

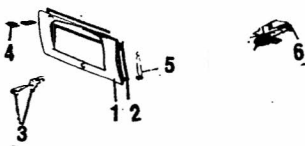
GLASS & HARDEWARE

Glass, un-heated	68-76	83.05	1.0	211845501F
heated	68-79	213.45	1.0	211845495B
tinted	68-79	382.30	1.0	221845495A
rubber channel		47.35		241845521E
3 Handle, w/cyl & keys	68-71	46.50	0.6	211829231G
	72-79	42.40	0.6	211829231R
4 Lock	68-71	23.30	0.3	211829211E
	72-79	27.35	0.3	211829211H
striker	68-71	D 7.80		211829221D
	72-79	8.65		155829221
5 Hinge	68-71	RT D 35.65	0.4	211829642
	68-71	LT 39.65	0.4	211829641
6	72-79	RT 39.65	0.4	211829642C
	72-79	LT 41.25	0.4	211829641C
7 stay	68-71	19.85		361827361
	72-79	19.60		331827383
8 Torsion bar		RT 15.05		211829332A
		LT 15.05		211829331A

Time for painting is for inner & outer.

§ After lid is removed. Both .6.

ENGINE LID



Assembly R&I		0.5		
1 Lid	(p.1.3) 68-71	193.40	0.9	211827025F
	(p.1.3) 72-79	193.40	0.9	211827025K

2 Weatherstrip	68-71	38.95	0.3	211827711
	72-79	38.95	0.3	211827711C
3 Handle & lock assy	68-71	45.25	0.3	211827503D
	72-79	45.25	0.3	211827503L
Striker	68-71	4.20		211813259B
	72-79	4.20		211813259C
4 Hinge	68-78	R&L 12.50	# 0.3	261829551
	79	2.40	# 0.3	211829553
5 Stay spring	68-71	10.05	0.3	245827401
	72-79	7.70	0.3	211827401A
Lid carrier	(p.8) 68-72	28.05	2.8	211813227D
	(p.8) 73-79	28.05	2.8	211813227H
6 Panel below lid	68-71	D 18.00	0.8	211813175E
	72-79	16.45	0.8	211813277H
cover plate	(p.6) 68-71	D 17.00		211813217C
	(p.6) 72-79	25.55		211813217B

After lid is removed.

REAR LAMPS

TAIL LAMP

1968-71				
body	68-69	29.30	0.3	211945237K
	70-71	51.45	0.3	211945237J
door	68-71	D 22.70		211945117B
lens	68-69	19.35	0.1	211945241G
	70-71	37.15	0.1	211945241M
gasket	68-69	5.80		211945245A
	70-71	5.80		211945245B
bulb, single contact	68-71	1.35		N0177322
double contact	68-71	1.10		N0177382
1972-79				
body	72-79	49.15	0.3	211945231
lens	72-79	34.30	0.1	211945241R
gasket, to body	72-79	3.15		411941123
to lens	72-79	2.05		411945235
cap	72-79	13.75		211945285
bulb, single contact	72-79	1.35		N0177322
double contact	72-79	1.10		N0177382

BACK-UP LAMP

Assy	68-71	D 31.00	0.2	211941073A
see tail lamp	72-79			
Door		9.85		211941375
Lens		11.00	0.2	111941371
gasket		D 3.05		211941361
Bulb		1.35		N0177322

LICENSE LAMP

Body & lens	68-71	17.65	0.4	211943161D
	72-79	14.90	0.4	211943161E
Gasket	68-71	D 1.00		211943131C
	72-79	1.70		211943131D
Bulb		1.70		N0177192

ENGINE

ENGINE, R & I

Engine R & I, w/o AC		1.3		
w/AC		2.0		
Engine, overhaul, w/o AC		12.5		
w/AC		13.6		

ENGINE PARTS

Crankcase				
44,47,50,77 BHP		393.50	# 9.0	043101025
62,66,68 BHP		1069.00	# 9.0	021101025P
70 BHP		641.00	# 9.0	92310194101
fm eng GD 0027787		1069.00	# 9.0	022101025K
Cyl head, 44,77 BHP		343.20	# 3.8	038101353
50 BHP		343.20	# 3.8	043101355H
62,66 BHP		D 291.00	# 3.8	021101351Q
68,70 BHP				
to ED 0000640		386.30	# 3.8	022101351C
fm ED 0000640		386.30	# 3.8	022101351H
fm GD 0000001		386.30	# 3.8	022101351L
cover, 44,47,50 BHP		8.15		113101475B
62,66,68,70 BHP		10.45		021101471
gasket				
44,47,50 BHP		.90	0.2	113101481F
62,66,68,70 BHP		1.60	0.2	021101481
retaining spring				
44,47,50 BHP		1.60		043101487
62,66,68,70 BHP		3.70		021101487
Cylinder, 44 BHP		78.25	0.8	113101311E003

47,50 BHP		37.70	0.8	341101302
62,66 BHP		78.25	0.8	021101301A001
68,70 BHP				
to GD 0000001		66.40	0.8	022101301A
70 BHP fm GD 0000001		78.25	0.8	039101301C001
Crankshaft pulley				
44 BHP		44.15	0.5	111105251F
47,50 BHP		27.50	0.5	113105251G
Oil cooler				
44,47,50 BHP		D 61.45	# 1.0	111117021E
62,66,68,70 BHP		154.75	# 1.0	021117021B
Fan housing				
44,47,50 BHP		178.50	# 0.7	113119025Q
62,66,68,70 BHP		464.20	# 0.7	021119199D
Fan, w/pulley & hub				
62,66,68,70 BHP	68-77	200.85	1.0	021119031AD
grille, 62,66,68,70		4.10		02111920701C
Carrier, 44,47 50 BHP		219.70		211199203A
62,66,68,70 BHP		130.95		021199203E
Rubber mount				
44,47,50 BHP	68-71	13.75	0.7	211199231A
	72-79	28.85	0.7	211199231C
62,66,68,70 BHP		20.20	0.7	021199231C
retainer	R&L	45.90		211199351B
support	R&L	35.80		021199221A
Oil filter		4.95	0.3	021115351A
Cover plates				
44,47,50 BHP				
cylinder		RT 24.35	0.2	113119304G
		LT 24.35	0.2	211119303B
heater channel				
lower front	RT	23.15		043119350B
rear	RT	23.15		043119352
	LT	22.25		043119351B
air deflector	R&L	3.00	0.2	311119317A
plate	68-71	R&L 6.30		131119357
	72-79	4.60		113119357A
crankshaft pulley	68-71	13.75	0.5	113119539H
	72-79	13.75	0.5	113119539L
preheat pipe protect		4.90		21119577
engine, front	68-71	D 26.00		21119515
	72-79	50.20		21119515A
rear	68-71	29.30	0.7	113119523M
	72-79	60.95	0.7	21119523S
Cover plates, 62,66,68 70 BHP				
cylinder	68-72	RT 48.05		039119300C
	73-79	RT 48.05		039119300C
all		LT 69.75		021119299M
warm air duct, lwr	68-74	RT 23.15	0.2	021119356C
	68-74	LT 13.60	0.2	021119355B
	75-79	RT 6.70	0.2	021119356E
	75-79	LT 13.60	0.2	021119355E
front	68-74	RT 22.75		021119362C
	68-74	LT 24.30		021119361B
	75-79	RT 23.15		021119362E
	75-79	LT D 8.95		021119361D
rear		RT 35.95		021119358
		LT 54.30		021119367
deflector plate		RT 11.45		021119320A
		LT 9.10		021119319A
engine, front	68-72	D 20.00		021119513F
	73-79	41.85		021119513P
70 BHP		41.85		022119513U
rear		RT 12.45		021119522D
		LT 22.30		021119527C
center		12.45		021119531
exhaust deflector		29.15		039119227
generator				211903021BV
alternator		9.80		022119281

Time is with engine removed. With air cond add 1.1.

1979-68 VW BUS & TRUCK

Information in the "GUIDE TO ESTIMATING" pages must be used with the text below to prepare a complete estimate.

CLUTCH & TRANSMISSION (CONT)

Case, R&I, exc	↑ 4.7
from ch2000001	↑ 4.2
Gear carrier assy, R&I	↑ 0.3
Gear shift housing, R&I	↑ 0.4
* Time is with engine removed.	
† Includes R & I engine, with air cond, add .6.	
‡ Time is with trans removed.	

FUEL SYSTEM

1968-74				
Gasoline tank	68-71	180.00	# 0.8	211201075D
	72	152.90	# 0.8	211201075H
to 2142132408	73-74	160.15	# 0.9	211201075L
fm 2142132408	73-74	180.00	# 0.9	211201075M
filler neck	68-71	D 29.00	0.3	211201123A
	72-73	D127.60	0.3	211201129G
	68-74	8.65	0.3	211201119
Activated carbon contn	68-74	37.00		175201801A
mounting strap	68-74	8.25		113809169B
Intake manifold 68-74				
47 BHP	68-74	223.55	\$ 1.7	113129701AB
50 BHP	68-74	227.75	\$ 1.7	113129701AP
62 BHP	68-74 R&L	D119.75	\$ 1.7	021129705AD
66 BHP	68-74 R&L	D 51.00	\$ 1.7	021129705L
68 BHP	68-74 R&L	59.85	\$ 1.7	021129705AG
Throttle positioner	68-69	D 89.00	0.3	113131307
	70-74	24.55	0.3	113131309A
control valve	70-74	D 55.00	0.2	113131395
high altitude correct	68-74	D 12.00		113131401
Fuel pump				
44,47,50 BHP	68-74	24.70	0.5	113127025D
62,66,68 BHP	68-74	216.25	0.5	021127025A
Carburetor, check locally			0.6	

1975-79				
Gasoline tank	75-79	180.00	# 0.9	211201075M
Filler neck	75-79	24.70		211201119A
cap, w/o locking	75-79	10.30		211201551P
locking type	75-79	23.30		211201551R
Activated carbon contn	75-79	37.00		175201801A
mntg strap & brkt	75-79	8.25		113809169B
Fuel pump (electric)	75-79	148.60		043906091
Intake manifold	75-79 R&L	100.35		022133201E
Air intake distributor	75-79	194.85		022133055J
Fuel filter	75-79	5.25		133133511
Electronic control unit				
Federal, std trans				
to 2162077584	75			022906021HV
fm 2162077584	75-76	D .00		022906021NV
	77-79			027909021S
auto trans				
to 2162077584	75			022906021JV
fm 2162077584	75-76			022906021PV
	77-79			022906021TV
Calif, std trans				
to 2162077584	75			022906021LV
fm 2162077584	75-76			022906021QV
	77-79			022906021AVVV
auto trans				
to 2162077584	75			022906021MV
fm 2162077584	75-76			022906021RV
	77-79			022906021ABVVV
harness				
to 2162077584	75	456.10		022971761P
fm 2162077584	75-76	478.05		022971761R
	77-79	456.10		022971761AB
relay		81.65		071906059
series resistance		89.00		022906079
Fuel injector		55.05		023906031
Pressure regulator		45.25		022906035
Throttle valve				
housing		D208.00		022133062Q
switch		D 43.00		022906111E
Cold start valve		40.20		022906171B
Auxiliary air reg		65.60		022906045A
Air cleaner				
to eng ED 0025000		D244.00		022129607M
to eng GD 0010999		D169.70		022129607S
fm eng GD 0011000		386.40		022129607L

Air flow meter				
to eng GD 0027786	192.05			022906301B
to eng ED 0000639	282.95			022906301C
fm eng GD 0027787	211.35			022906301D
Elbow	38.75			022129967AC
* Time is for bus after engine is removed. Time for truck is 1.1				
After engine is removed.				
‡ Time is with engine in car. With engine removed 1.1. With air cond add .4.				

EXHAUST SYSTEM

1968-74				
Muffler, 44,47,50 BHP	68-71	53.05	# 1.3	211251051E
	72-73	130.30	# 1.3	211251051F
62,66,68 BHP	68-74	240.95	# 1.3	025251053B
Installation kit				
44,47,50 BHP	68-74	8.75		211298009B
Tail pipe				
44,47,50 BHP	68-74	6.40	0.3	211251237B
62,66 BHP	68-74	49.85	0.3	021251171P
68 BHP	68-74	21.65	0.3	021251185F
Damper pipe				
44,47,50 BHP	68-74	14.95		147251157
bracket				
44,47,50 BHP	68-74	4.85		211251301A
62,66 BHP	68-74	D 6.55		021251301B
1975-79				
Manifold	75-79	99.40		021251531
Muffler	75-79	126.95		071251053F
Catalyst	75-79	558.00		043131701E
installation kit	75-79	7.45		023298051
connecting pipe				
to 2162070001	75-79	268.40		021251501
fm 2162070001	75-79	176.45		021251503A
Tail pipe	75-79	21.65		021251185F
* With air cond add .4.				

EMISSION SYSTEM

Air pump	351.90			021131601
Drive shaft, w/pulley	114.55			021131681
belt	9.65			021131615A
Pressure relief valve	54.35			021131604
Anti-backfire valve	23.40			039131603
Exhaust gas filter				
44,47,50,62,66,70 BHP	116.60			021131617A
68 BHP	130.55			021131617D
Two way valve	42.00			171906283

EXHAUST RECIRCULATION SYSTEM 1975-79

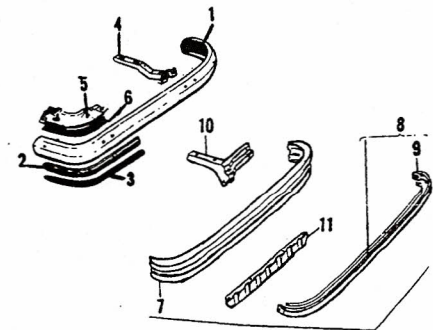
Exhaust gas filter				
w/o cat converter	75-79	114.00		021131617E
w/cat conv		114.00		021131617F
pipe, upper				
to eng GD 0011000	58.80			022131592C
fm eng GD 0011000	58.80			022131592B
Valve, recirculator	D185.90			022906281
decelerator				
to eng GD 0011000	77.85			022133551A
fm eng gd 0011000	67.50			022133551C
Temperature switch	D 13.25			022131519

REAR SUSPENSION

Hub & drum	68-70	213.65	0.4	211501615G
------------	-------	--------	-----	------------

1 drum only	71-79	144.45	0.3	211609615
2 hub only	71-79	135.40	0.6	211501619
support plate	68-70	62.65	1.3	211609439D
	71-79	55.60	1.3	211609425L
Axle shaft				
3 outer	68-70	133.60	0.8	211501265
	71-79	133.60	0.8	211501265C
4 inner, manual trans		420.45	0.5	211501203
auto trans		D396.95	0.5	211501203A
5 joint		102.45		251598101
6 bearing housing	68-70 RT	D120.00	1.3	211501254
	68-70 LT	D120.00	1.3	211501253
	71-79 RT	141.40	1.3	211501254E
	71-79 LT	141.40	1.3	211501253E
7 boot kit		26.50		251598201
Bearing, rear wheel				
8 bearing, outer	68-79	49.10	# 0.9	211501283
9 inner		13.60	# 0.9	211501287
10 oil seal, outr & inr		7.20		211501317
11 Radius arm	68-71 RT	289.65	0.7	211501066J
	68-71 LT	D218.00	0.7	211501065J
	72-79 RT	289.65	0.7	211501066K
	72-79 LT	289.65	0.7	211501065K
12 Torsion bar	68-71 RT	125.85	2.0	211511166A
	68-71 LT	125.85	2.0	211511115A
	72-79	125.85	2.0	211511115C
13 link plate	68-71	D100.00	1.5	211511205B
	72-79	128.25	1.5	211511205E
14 cover		13.60		211511225
15 bushing		4.20		211511245A
16 Shock absorber				
standard	68-71	55.25	0.4	211513031N
	72-79	63.10	0.4	211513031R
heavy duty	68-71	82.85	0.4	211513031K
	72-79	101.40	0.4	211513033
adjustable		174.65	0.4	211513035
* Time is for one or both.				

REAR BUMPER



REAR BUMPER-1968-72				
Assembly R&I			0.4	
Overhaul			1.1	
1 Face bar	(p1.0) 68-71	165.75	0.8	211707311F
	(p1.0) 72	165.75	0.8	211707311H
Guard, w/cushion	68-72	8.40	0.2	ZVW151812
cushion	68-72	D 1.85		ZVW151822
2 Trim midg	68-69	D 75.00	0.9	241707411C
	70-72	107.40	0.9	241707411E
3 rubber insert	68-70	D 13.00		241707421B
	71-72	D 21.95		241707421C
4 Mounting brkt	68-71 RT	44.15		211707336A
	68-71 LT	43.90		211707335C
	72 RT	D 47.25		211707336E
	72 LT	32.60		211707335E
5 Gravel deflector	68-72 RT	25.15	\$ 0.2	211707366D
	68-72 LT	D 22.65	\$ 0.2	211707365D
6 seal to bumper	68-72	3.20		211707397B
REAR BUMPER, 1973-79				
Assembly R&I			0.5	
Overhaul			1.0	
7 Face bar, prime	73-79	165.75	# 1.0	211707311K

CONTINUED

