

# Abwassertank Joker

Bestell-Nr. 216 003 210 020

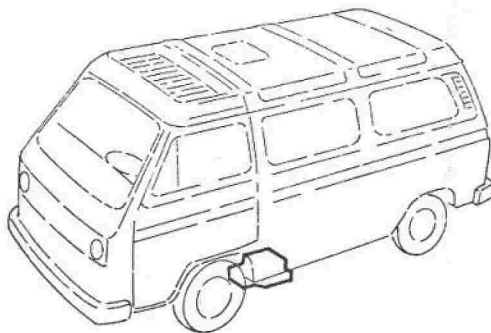
## Montage

**WESTFALIA**

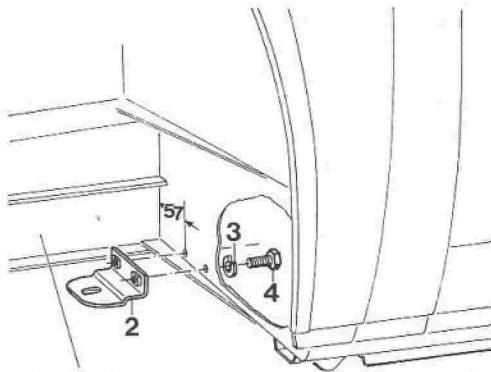


**Präzision  
auf Rädern**

**2160.761**  
Ausgabe 2/83



Parts List	Illustration Key
1 X Waste water tank	1
1 X Support bracket	2
4 X Spring washers B6	3
4 X Bolts M6 X 20	4
1 X Support bracket	5
3 X Self-tapping screws B 4.8 X 16	6
1 X Support bracket	7
Gasket Material Novalastik "B"	8
3 X Bolts M8 X 50	9
4 X Washers 24 X 8.5 X 2	10
1 X Nut M8	11

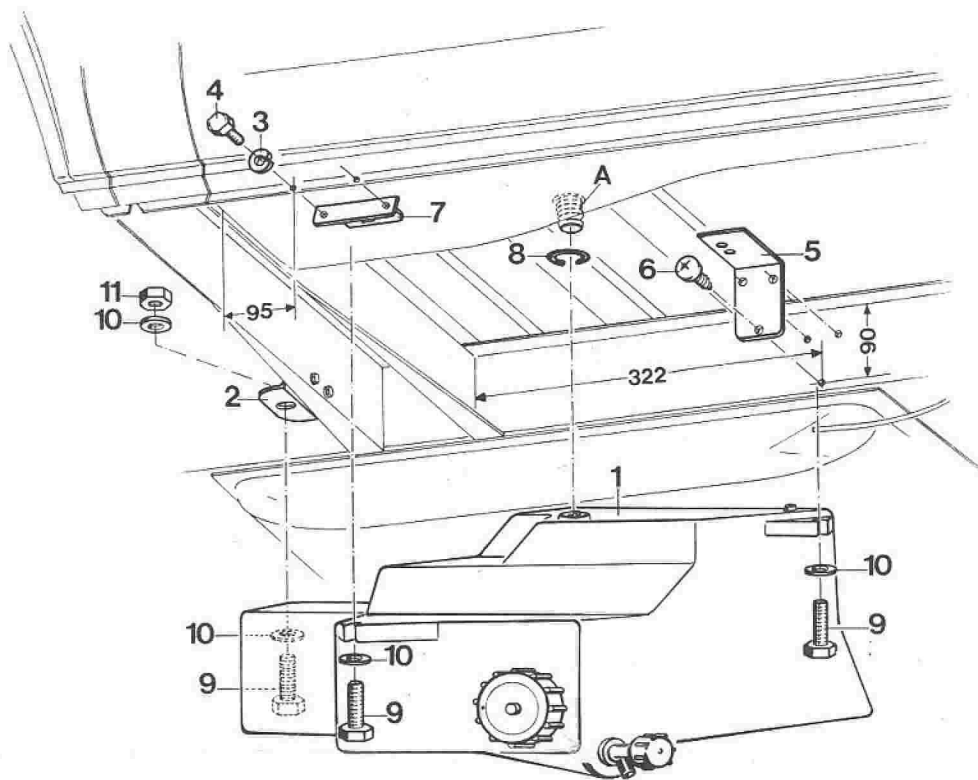


Wheel Arch

Mount bracket 2 with spring washers 3 and bolts 4 to the cross member support.

See illustration for dimensions.

Drill hole diameter = 6.5 mm



Install support bracket 5 with self-tapping screws 6 to the longitudinal beam. (See illustration for dimensions. Drill hole diameter = 4.0mm). Install support bracket 7 with spring washers 3 and bolts 4 to the lower edge of the body panel. (See illustration for dimensions. Drill hole diameter = 6.5 mm).

Unscrew cap from the water pipe outlet A. Install gasket material 8 around the water pipe outlet A. (In older models PVC hose is used instead of a threaded pipe. If necessary shorten the PVC hose and wrap gasket material around it). Place the waste water tank 1 with the opening over the threaded pipe outlet A. (In older models feed the hose into the opening).

Mount the waste water tank 1 with bolts 9 washers 10 and a single nut 11 onto support brackets 2, 5 and 7.

**WESTFALIA**



**Präzision  
auf Rädern**